

Proprietary data, company confidential.  
All rights reserved

Als Betriebsgeheimnis anvertraut  
Alle Rechte vorbehalten

1	2	3	4	5
HIERARCHY			SHEET	PDF-SHEET
A5B00900188989-31426	-----		index	sheet 1
			netlist1	sheet 2
			netlist2	sheet 3
			poslist1	sheet 4
			poslist2	sheet 5
			page1	----
			sheet1	sheet 6
			sheet2	sheet 7
			sheet3	sheet 8
			sheet4	sheet 9
			sheet5	sheet 10
			sheet6	sheet 11
			sheet7	sheet 12
			sheet8	sheet 13
			sheet9	sheet 14
			sheet10	sheet 15
			sheet11	sheet 16
			sheet12	sheet 17
			sheet13	sheet 18
			sheet14	sheet 19
			sheet15	sheet 20
			sheet16	sheet 21
			sheet17	sheet 22
			sheet18	sheet 23
			sheet19	sheet 24
			sheet20	sheet 25
			sheet21	sheet 26
			sheet22	sheet 27
			sheet23	sheet 28

				DATE	24.05.2005	WOLF5 MAINBOARD B2.2.3 Assembly V1 TOP HIERARCHY LEVEL SCHEMATIC	1:1
				USER	NB		
				APPR'D			
				MD PD HW4 MCH2			
				Siemens AG		177791	index
3	31426	7.09.2005	WDM				
VERS.	CHANGE NUMBER	DATE	NAME	( Created by BOM number: A5B00900188990-31426 )			

	1	2	3	4	5	6	7	8	9	10		
A2(20) /sheet9 6 B /sheet22 6 C	/sheet9 10 C /sheet16 15 D	/sheet9 10 D /sheet19 15 E /sheet19 4 B	/sheet11 6 F /sheet21 6 D	/sheet4 12 E /sheet7 2 G	/sheet20 10 D	MICFBP /sheet7 10 F	/sheet22 6 C	/sheet1 14 C /sheet12 11 C	SDRAM_CS_N /sheet9 2 A /sheet10 2 B	TX_ON /sheet5 5 F /sheet9 10 A	VBATT /sheet4 8 B /sheet4 7 B /sheet4 8 B /sheet3 3 B /sheet3 5 B /sheet3 4 B /sheet11 4 E /sheet11 1 C /sheet12 10 C /sheet12 7 B /sheet13 6 E	VDD_BT /sheet16 9 C /sheet16 8 C /sheet16 8 E /sheet16 6 C
ACC_PWR_EN /sheet9 13 B /sheet11 9 D	BUFF_TCXO /sheet13 10 E /sheet17 6 B	CHG_CNT_N /sheet11 5 B /sheet13 7 B	GPIO_42 /sheet9 13 D	HPH_SD /sheet9 13 B	KEYSENSE_N(3) /sheet9 13 D /sheet20 10 D	MICINN /sheet7 10 F	PA_ON0 /sheet4 13 C /sheet9 9 B	RX /sheet1 14 C /sheet12 11 D /sheet13 2 B	SDRAM_DQM(0) /sheet9 2 B /sheet10 6 B	TX_Q_M /sheet5 11 E /sheet7 10 E	VIB_DRV /sheet3 4 B /sheet11 4 E /sheet11 1 C /sheet12 10 C /sheet12 7 B /sheet13 6 E	VDD1 /sheet5 7 D
AMUX_OUT /sheet7 2 G /sheet13 10 E	BUFF_TCXO_BT /sheet13 11 F /sheet16 12 E	CP_GPS /sheet6 2 B /sheet5 5 E	GPIO_43 /sheet9 13 D	I2C_SCL /sheet9 8 C /sheet7 7 B /sheet18 12 D /sheet19 10 C /sheet19 7 F	KEYSENSE_N(4) /sheet9 13 D /sheet20 10 D	MICINP /sheet7 10 F	PA_ON0_N /sheet4 13 B /sheet4 13 F	RX0_I_M /sheet6 8 D /sheet5 5 D /sheet7 8 E	SDRAM_DQM(1) /sheet9 2 B /sheet10 6 B	TX_Q_P /sheet5 11 E /sheet7 10 E	VPH_FLT /sheet13 3 A /sheet13 7 C	VDD10 /sheet5 12 C
ANT /sheet2 1 E	CAM1_DATA(7:0) /sheet19 2 C /sheet19 11 B	CTS /sheet1 14 C /sheet12 11 C	GPIO_44 /sheet9 13 D	I2C_SDA /sheet9 8 C /sheet7 4 B /sheet18 10 D /sheet19 10 C /sheet19 7 F	KYPD_11 /sheet9 13 D /sheet20 10 C	MICOUTN /sheet7 10 F	PA_R0 /sheet9 10 B /sheet13 7 D	RX0_I_P /sheet6 8 D /sheet5 5 D /sheet7 8 E	SDRAM_DQM(2) /sheet9 2 B /sheet10 6 B	TX_VCO_0_EN_N /sheet3 13 E /sheet9 8 D	VPH_PWR /sheet6 9 E /sheet9 11 E /sheet11 10 C /sheet11 2 C /sheet13 5 C /sheet13 12 A /sheet13 3 B /sheet19 9 F /sheet21 6 C /sheet22 1 E	VDD11 /sheet5 9 C
ANT_POSN /sheet2 4 E /sheet9 10 C	CAM1_DSP_CLK /sheet19 10 C /sheet19 15 D	DCD /sheet1 14 C /sheet12 11 C	GPIO_45 /sheet9 13 C	ICHARGE /sheet11 5 C /sheet13 10 E	KYPD_13 /sheet9 13 D /sheet20 10 C	MMC_CD /sheet9 6 A /sheet14 12 C	PA_RAMP /sheet3 13 F /sheet7 10 E	RX0_Q_M /sheet6 8 D /sheet5 5 D /sheet7 8 E	SDRAM_DQM(3) /sheet9 2 B /sheet10 6 B	TX_VCO_1_EN_N /sheet3 13 E /sheet9 8 D	VREG_AUX1 /sheet13 14 B /sheet14 9 B	VDD13 /sheet5 13 C
ANT_SEL0 /sheet2 13 B /sheet9 10 D	CAM1_HS /sheet19 2 D /sheet19 11 E	EAR1ON /sheet7 10 E	GPIO_66 /sheet9 13 C	ICHARGEOUT /sheet11 5 C /sheet13 10 E	KYPD_15 /sheet9 13 D /sheet20 10 C	MMC_CMD /sheet9 10 B /sheet14 12 D	PA_RAMP_A /sheet3 12 F	RX1_I_M /sheet6 8 D /sheet5 5 D /sheet7 8 E	SDRAM_RAS_N /sheet9 2 A /sheet10 2 B	UB2_N /sheet9 6 A /sheet10 11 C	VREG_AUX2 /sheet13 15 B /sheet13 6 F /sheet16 15 C	VDD14 /sheet5 13 B
ANT_SEL1 /sheet2 13 C /sheet9 10 D	CAM1_PCLK /sheet19 10 C /sheet19 11 E	EAR1OP /sheet7 10 E	GPS_LDO_EN /sheet6 10 E /sheet13 7 C	IRDA_EN /sheet13 7 E /sheet21 6 D /sheet21 6 C	KYPD_17 /sheet9 13 D /sheet20 10 C	MMC_DATA /sheet9 10 B /sheet14 12 C	PHONE_ON /sheet13 6 D /sheet20 10 C	RX1_Q_M /sheet6 8 D /sheet5 5 D /sheet7 8 E	SDRAM_WE_N /sheet9 2 A /sheet10 2 B	UIM_P_CLK /sheet13 7 B /sheet15 11 C	VREG_CAM1 /sheet19 13 F /sheet19 10 C	VDD16 /sheet6 12 B
ANT_SEL2 /sheet2 13 C /sheet9 10 D	CAM1_PWR_EN /sheet9 10 E /sheet19 9 G	EBI1_ADDR(14:1) /sheet9 2 C /sheet10 7 C	GPS_LO_OUT /sheet6 2 D /sheet5 5 F	IRDA_RXD /sheet9 13 B /sheet21 9 C /sheet21 8 E	KYPD_9 /sheet9 13 D /sheet20 10 D	MSM_BOOT_MODE1 /sheet8 4 E /sheet17 11 D	PM_INT_N /sheet9 13 E /sheet13 7 B	RX1_Q_P /sheet6 8 D /sheet5 5 D /sheet7 8 E	SLEEP_CLK /sheet13 6 B /sheet17 6 B /sheet18 3 C	UIM_P_DATA /sheet13 10 B /sheet15 11 C	VREG_CAM2 /sheet19 13 F /sheet19 7 F	VDD17 /sheet6 11 B
AUXON_AUXOR /sheet9 13 B /sheet19 11 D /sheet19 11 B	CAM1_SEL_N /sheet9 13 B /sheet19 11 D /sheet19 11 B	EBI1_D(23:16) /sheet9 2 D /sheet10 7 C	GSM1800_1900_TX /sheet2 12 F /sheet3 2 D	IRDA_TXD /sheet9 13 B /sheet21 9 C /sheet21 8 E	KYPD_INT_N /sheet9 2 A	MSM_MODE1A /sheet8 4 E /sheet17 11 D	PM_SBCK /sheet9 13 B /sheet13 6 D	RX1_I_P /sheet6 8 D /sheet7 8 E	SPKR_OUT_M /sheet12 B /sheet13 4 D	UIM_P_RESET /sheet13 7 B /sheet15 11 C	VREG_GPS_ANT /sheet6 14 E /sheet2 5 E	VDD18 /sheet6 12 B
AUXOP_AUXOL /sheet7 9 B	CAM1_VS /sheet19 2 D /sheet19 11 E	EBI1_D(31:0) /sheet10 2 D	GSM1800_RXN /sheet2 12 E /sheet5 3 C	IRDA_TXD /sheet9 13 B /sheet21 9 C /sheet21 8 E	LB2_N /sheet9 6 A /sheet10 11 C	MSM_MODE2A /sheet8 4 E /sheet17 11 D	PM_SBDT /sheet9 13 B /sheet13 6 D	RX1_Q_M /sheet6 8 C /sheet7 8 E	SPK_OUT_P /sheet7 12 B /sheet13 4 D	UMTS2100_TX /sheet4 13 C /sheet5 2 D	VREG_MSMA /sheet8 9 A /sheet7 4 F /sheet7 9 G /sheet7 8 G /sheet7 2 F /sheet7 6 A /sheet13 13 B /sheet18 6 B	VDD19 /sheet6 11 B
AUXO_M /sheet7 4 C /sheet13 6 D	CAM1_VS /sheet19 2 D /sheet19 11 E	EBI1_D(31:24) /sheet9 2 B	GSM1800_RXP /sheet2 12 E /sheet5 3 C	IRDA_TXD /sheet9 13 B /sheet21 9 C /sheet21 8 E	LCD2_CS_N /sheet9 6 B /sheet22 6 C	MSM_UART1_CTS_N /sheet9 13 A /sheet12 5 C	PM_SBST /sheet9 13 B /sheet13 6 D	RX1_Q_P /sheet6 8 C /sheet7 8 E	TCXO /sheet10 10 G /sheet13 6 E	USB_CONN_D_M /sheet12 4 D /sheet13 10 C	VREG_CAM2 /sheet19 13 F /sheet19 7 F	VDD2 /sheet5 8 D
AUXO_P /sheet7 4 C /sheet13 6 D	CAM2_DATA(7:0) /sheet19 7 E /sheet19 11 B	EBI2_D(15:0) /sheet9 6 D /sheet22 5 D	GSM1900_RXN /sheet2 12 D /sheet5 3 C	JTAG_PS_HOLD /sheet13 5 D /sheet17 8 F /sheet17 11 F	LCD_BACKLIGHT /sheet22 6 G /sheet22 6 B	MSM_UART1_DCD_N /sheet9 13 E /sheet12 5 C	PON_RST_N /sheet13 7 C /sheet17 3 C	SBCK_0 /sheet6 8 D /sheet5 5 F /sheet9 10 B	TCXO_EN /sheet9 13 A /sheet13 6 E	USB_CONN_D_P /sheet12 4 D /sheet13 10 C	VREG_CAM1 /sheet19 13 F /sheet19 10 C	VDD21 /sheet6 13 B
A_FM_STANDBY /sheet9 10 C /sheet18 9 D	CAM2_HS /sheet19 7 F /sheet19 11 E	EXT_AUDIO_L /sheet1 14 D /sheet7 2 A	GSM1900_RXP /sheet2 12 D /sheet5 3 C	JTAG_RESOUT_N /page1 4 B /sheet17 11 D	LCD_BCKLT_PWM /sheet9 10 D /sheet20 13 E /sheet22 8 F	MSM_UART1_RFR_N /sheet9 13 A /sheet12 4 C	POWER /sheet1 14 C /sheet11 14 C /sheet11 3 B /sheet13 3 C	SBDT_0 /sheet6 8 D /sheet5 5 F /sheet9 10 B	TRK_LO_ADJ /sheet9 8 A /sheet10 5 G	USB_DAT_VP /sheet9 10 B /sheet13 10 C	VREG_CAM2 /sheet19 13 F /sheet19 7 F	VDD22 /sheet6 14 B
A_RDS_DATA_EXIST /sheet9 10 C /sheet18 10 C	CAM2_PCLK /sheet19 6 E /sheet19 11 E	EXT_AUDIO_R /sheet1 14 D /sheet7 2 B	GSM900_RXN /sheet2 12 E /sheet5 3 C	JTAG_RTCK /page1 4 B /sheet17 11 E	LCD_EN /sheet9 10 C /sheet22 1 E	MSM_UART1_RXD /sheet9 13 A /sheet12 5 C	PS_HOLD /sheet9 10 D /sheet13 5 D	SBST_0 /sheet6 8 D /sheet5 5 F /sheet9 10 B	TX /sheet1 14 C /sheet12 11 D /sheet13 2 A	USB_OE_TP_N /sheet9 10 B /sheet13 6 B	VREG_CAM1 /sheet19 13 F /sheet19 7 F	VDD23 /sheet6 14 B
BACKLIGHT_EN /sheet9 6 A /sheet9 11 F	CAM2_PWR_EN /sheet9 10 E /sheet19 9 G	EXT_AUDIO_REF /sheet1 14 D /sheet7 2 B	GSM900_RXP /sheet2 12 F /sheet5 3 C	JTAG_TCK /page1 4 C /sheet17 11 E	LCD_RST_N /sheet13 7 E /sheet22 3 B	MSM_UART1_TXD /sheet9 13 A /sheet12 4 C	RESOUT1_N /sheet10 11 D /sheet17 11 C /sheet22 3 B	SDRAM_A(0) /sheet9 2 B /sheet10 6 B	TX_AGC_ADJ /sheet5 5 F /sheet9 8 A	USB_RS232_SEL1 /sheet9 13 B /sheet12 11 C	VREG_CAM2 /sheet19 13 F /sheet19 7 F	VDD3 /sheet5 8 D
BATT_FET_N /sheet11 5 D /sheet13 7 E	CAM2_SEL_N /sheet9 13 B /sheet19 11 D /sheet19 11 B	EXT_MIC /sheet1 14 D /sheet7 2 E	GSM900_TX /sheet2 12 F /sheet3 2 D	JTAG_TDI /page1 4 C /sheet17 11 E	LCD_VSYNC /sheet9 2 A /sheet22 6 D	NAND_FLASH_CS_N /sheet9 6 A /sheet10 11 C	RFR6250_TCXO /sheet6 8 D /sheet10 10 G	SDRAM_CAS_N /sheet9 2 A /sheet10 2 B	TX_IREF /sheet5 5 F /sheet8 10 A /sheet7 10 E	USIM_CLK /sheet9 13 B /sheet13 6 B	VREG_CAM1 /sheet19 13 F /sheet19 10 C	VDD4 /sheet5 8 D
BT_CLK /sheet9 10 C /sheet16 15 C	CAM2_VS /sheet19 6 E /sheet19 11 E	EXT_MIC_GND /sheet1 14 D /sheet7 2 F	GSM_PA_BAND /sheet3 13 F /sheet9 10 D	JTAG_TDO /page1 4 B /sheet17 11 D	LOW_VOL /sheet9 10 D	NAND_FLASH_READY /sheet9 6 A /sheet10 9 D	RF_THERM /sheet7 4 G	SDRAM_CLK /sheet9 2 A /sheet10 6 C	TX_I_M /sheet5 11 F /sheet7 10 E	USIM_DATA /sheet9 13 B /sheet13 10 B	VREG_CAM2 /sheet19 13 F /sheet19 7 F	VDD5 /sheet5 9 D
BT_DATA /sheet9 10 C /sheet16 15 D	CAMIF_DATA(7:0) /sheet9 14 D /sheet19 15 B	FLASH_EN /sheet7 8 F /sheet19 4 B	GSM_PA_EN /sheet6 8 C /sheet3 13 B /sheet9 8 D	JTAG_TMS /page1 4 C /sheet17 11 E	MIC1N /sheet7 8 E	OE2_N /sheet9 6 A /sheet10 11 D	RTR6250_TCXO /sheet5 5 F /sheet10 10 G	SDRAM_CLK_EN /sheet9 2 A /sheet10 6 C	TX_I_P /sheet5 11 E /sheet7 10 E	USIM_RESET /sheet9 13 B /sheet13 6 B	VREG_CAM1 /sheet19 13 F /sheet19 7 F	VDD6 /sheet5 10 D /sheet5 9 D
BT_ENABLE /sheet9 10 D /sheet16 15 D	CAMIF_DSP_CLK /sheet9 8 C /sheet19 11 D	FM_IN /sheet1 7 E /sheet18 4 D	GSM_PA_PWR_CTL_REF /sheet7 2 F /sheet13 10 C	JTAG_TRST_N /page1 4 D /sheet17 11 E	MIC1P /sheet7 8 E	MIC2N /sheet7 5 F	RTS	TX_I_M /sheet5 11 F /sheet7 10 E	USIM_DATA /sheet9 13 B /sheet13 10 B	VDD8 /sheet5 5 C	VREG_CAM2 /sheet19 13 F /sheet19 7 F	VDD9 /sheet5 12 C
BT_SBCK /sheet9 10 C /sheet16 15 D	CAMIF_DSP_CLK /sheet9 8 C /sheet19 11 D	FM_RADIO_AUXIN /sheet7 8 F /sheet18 12 C	GSM_TX_CP /sheet3 13 D /sheet5 2 D	KEYSENSE_N(0) /sheet9 13 C /sheet20 10 D	MIC2P /sheet7 8 F	MICBIAS /sheet7 8 E		USIM_RESET /sheet9 13 B /sheet13 6 B	VDD9 /sheet5 12 C			
BT_SBDT /sheet9 10 C /sheet16 15 D	CAMIF_HSYNC /sheet9 10 D /sheet19 15 E	FM_RADIO_AUXIP /sheet7 8 F /sheet18 12 C	GSM_TX_VCO_FB /sheet3 13 C /sheet5 2 D	KEYSENSE_N(1) /sheet9 13 C /sheet20 10 D	MIC2N /sheet7 5 F	MICBIAS /sheet7 8 E						
BT_SBST /sheet9 10 C /sheet16 15 D	CAMIF_PCLK /sheet9 10 D /sheet19 15 E	FM_RADIO_AUXIP /sheet7 8 F /sheet18 12 C	GSM_TX_VCO_FB /sheet3 13 C /sheet5 2 D	KEYSENSE_N(2) /sheet9 13 D	MIC2N /sheet7 5 F	MICBIAS /sheet7 8 E						
BT_TX_RX_N	CAMIF_VSYNC	FUEL_GAUGE	HDET1		MIC2N /sheet7 5 F	MICBIAS /sheet7 8 E						

DATE	24.05.2005	WOLF5 MAINBOARD B2.2.3 Assembly V1 TOP HIERARCHY LEVEL SCHEMATIC	1:1
USER	NB		
APPR'D			
MD PD HW4 MCH2			
Siemens AG		177791	netlist1
3	31426	7.09.2005	WDM
VERS.	CHANGE NUMBER	DATE	NAME
( Created by BOM number: A5B00900188990-31426 )			

Proprietary data, company confidential.  
All rights reserved

Als Betriebsgeheimnis anvertraut  
Alle Rechte vorbehalten

1	2	3	4	5
<p>VREG_MSMP /sheet6 9 A /sheet5 4 B /page1 3 B /sheet9 9 D /sheet9 8 B /sheet8 9 B /sheet11 5 E /sheet12 5 B /sheet12 7 B /sheet13 13 B /sheet16 15 C /sheet17 9 E /sheet17 4 C /sheet18 11 D /sheet19 15 C /sheet19 15 A /sheet19 2 B /sheet20 12 D /sheet21 8 D /sheet21 8 E /sheet21 9 C /sheet22 2 E</p> <p>VREG_RFRX_0 /sheet2 5 C /sheet2 7 A /sheet5 9 B /sheet13 14 B</p> <p>VREG_RFRX_1 /sheet6 10 A /sheet13 14 B</p> <p>VREG_RFTX /sheet4 9 D /sheet4 9 A /sheet3 8 A /sheet3 10 C /sheet5 13 A /sheet13 14 B</p> <p>VREG_SYNTH /sheet5 8 B /sheet13 13 B</p> <p>VREG_TCXO /sheet6 14 A /sheet10 6 F /sheet13 13 B /sheet13 10 F</p> <p>VREG_UIM /sheet13 14 B /sheet15 8 B</p> <p>WCDMA_RX /sheet6 2 D /sheet2 12 G</p> <p>WCDMA_TX /sheet4 4 C /sheet2 12 F</p> <p>WDOG_EN /sheet8 4 E /sheet17 11 D /sheet17 8 F /sheet17 11 F</p> <p>WE2_N /sheet9 6 A /sheet10 11 D /sheet22 6 C</p>				

A  
B  
C  
D  
E

			DATE	24.05.2005	<b>WOLF5 MAINBOARD</b> <b>B2.2.3 Assembly V1</b> <b>TOP HIERARCHY LEVEL</b> <b>SCHEMATIC</b>	<b>1:1</b>
			USER	NB		
			APPR'D			
			MD PD HW4 MCH2			
			Siemens AG		177791	netlist2
3	31426	7.09.2005	WDM			
VERS.	CHANGE NUMBER	DATE	NAME	( Created by BOM number: A5B00900188990-31426 )		



Proprietary data, company confidential.  
All rights reserved

Als Betriebsgeheimnis anvertraut  
Alle Rechte vorbehalten

X100 /sheet1 2 D  
 X200 /sheet2 3 E  
 X600 /sheet6 2 C  
 X1100 /sheet11 1 F  
 X1400 /sheet14 3 D  
 X1500 /sheet15 5 D  
 X1900 /sheet19 1 F  
 X1901 /sheet19 7 D  
 X2000 /sheet20 3 D  
 X2201 /sheet22 12 E  
 X2202 /sheet22 13 C  
 X2203 /sheet22 13 C  
 X2204 /sheet22 13 C  
 X2205 /sheet22 14 C  
 X2206 /sheet22 14 C  
 X2207 /sheet22 15 C  
 X2208 /sheet22 15 C  
 X2209 /sheet22 13 D  
 X2210 /sheet22 13 D  
 X2211 /sheet22 14 D  
 X2212 /sheet22 15 D  
 X2213 /sheet22 14 D  
 X2214 /sheet22 15 D  
 Z200 /sheet2 9 E  
 Z201 /sheet2 9 E  
 Z202 /sheet2 8 F  
 Z203 /sheet2 7 F  
 Z300 /sheet3 9 D  
 Z400 /sheet4 5 C  
 Z401 /sheet4 11 C  
 Z402 /sheet4 10 E  
 Z600 /sheet6 3 C  
 Z601 /sheet6 3 C  
 Z602 /sheet6 6 F  
 Z1000 /sheet10 7 G  
 Z1200 /sheet12 8 C  
 Z1201 /sheet12 9 D  
 Z1300 /sheet13 4 B  
 Z1500 /sheet15 9 C  
 Z1600 /sheet16 4 D  
 Z1700 /sheet17 3 C

A

B

C

D

E

A

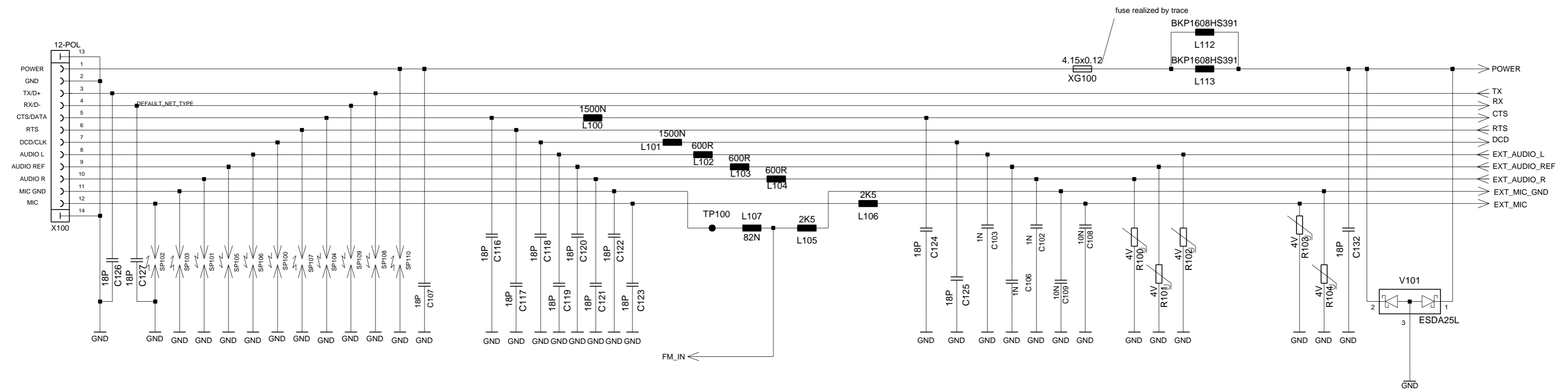
B

C

D

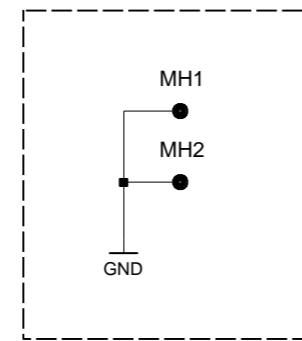
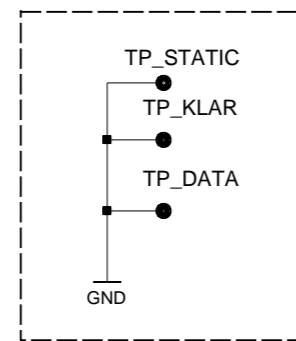
E

				DATE	24.05.2005	WOLF5 MAINBOARD B2.2.3 Assembly V1 TOP HIERARCHY LEVEL SCHEMATIC	1:1
				USER	NB		
				APPR'D			
					MD PD HW4 MCH2		
					Siemens AG	177791	poslist2
3	31426	7.09.2005	WDM				
VERS.	CHANGE NUMBER	DATE	NAME	( Created by BOM number: A5B00900188990-31426 )			



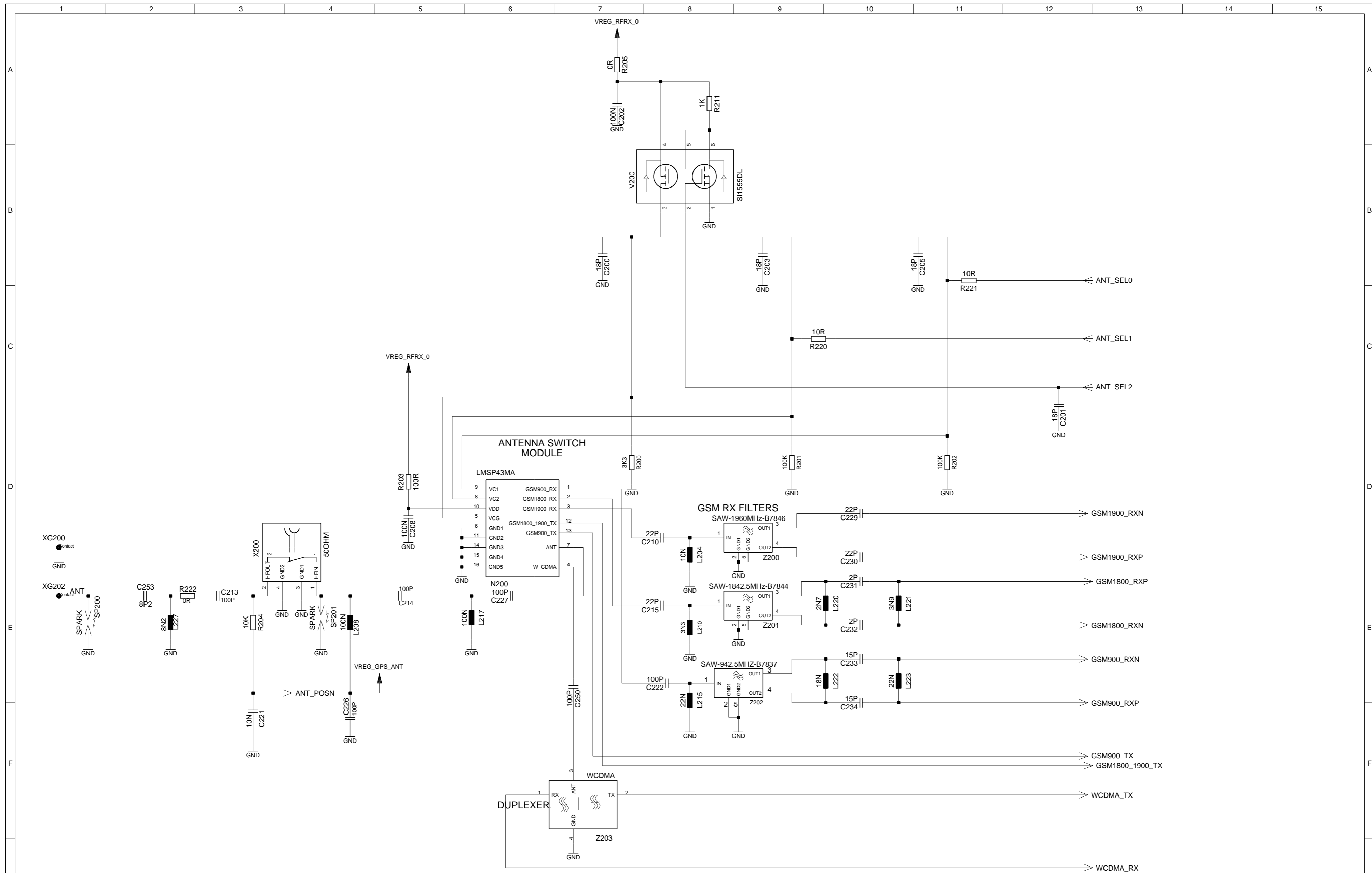
PCB PRODUCTION LABELS

MOUNTING HOLES



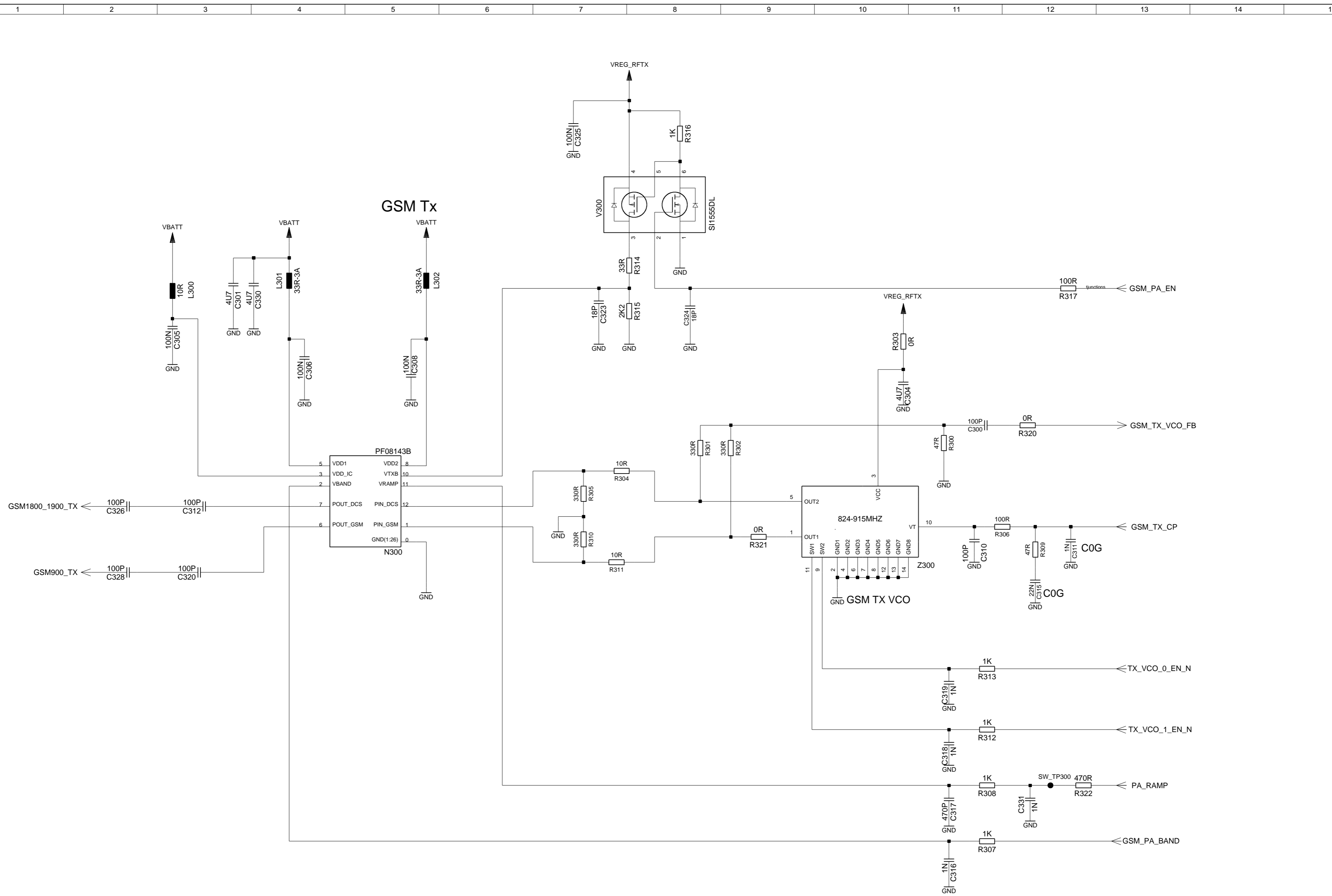
## WOLF 5 - SYSTEM CONNECTOR

DATE	24.05.2005	WOLF5 MAINBOARD B2.2.3 Assembly V1 TOP HIERARCHY LEVEL SCHEMATIC	1:1
USER	NB		
APPR'D			
MD PD HW4 MCH2		Siemens AG	177791
VERS.	3		
DATE	7.09.2005	NAME	WDM
( Created by BOM number: A5B00900188990-31426 )			



### WOLF 5 - RF FRONT END

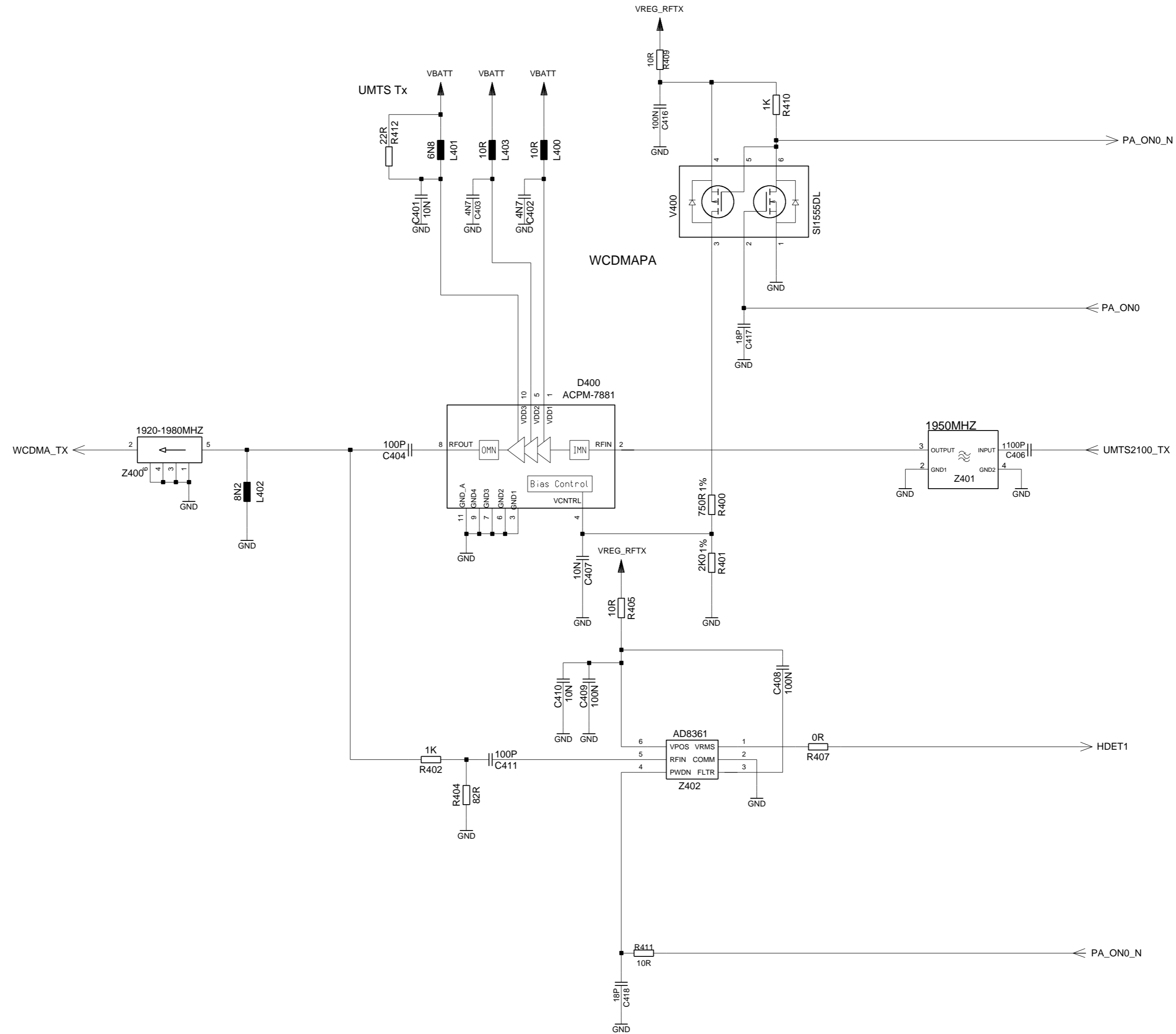
DATE	24.05.2005	WOLF5 MAINBOARD B2.2.3 Assembly V1 TOP HIERARCHY LEVEL SCHEMATIC	1:1
USER	NB		
APPR'D			
MD PD HW4 MCH2		Siemens AG	177791
VERS.	3		
DATE	7.09.2005	NAME	WDM



### WOLF 5 - GSM TX AND PA

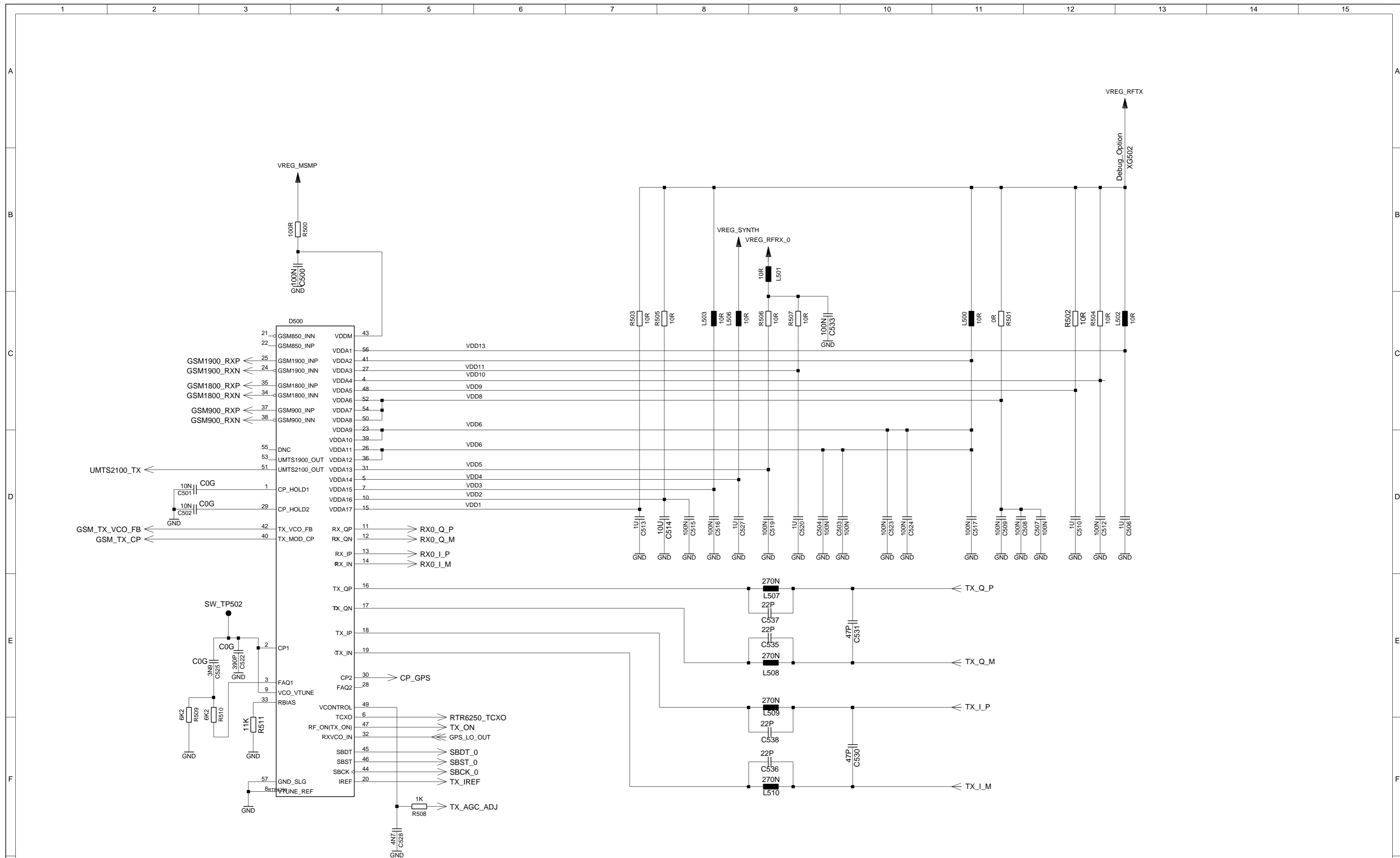
DATE	24.05.2005	WOLF5 MAINBOARD B2.2.3 Assembly V1 TOP HIERARCHY LEVEL SCHEMATIC	1:1
USER	NB		
APPR'D			
MD PD HW4 MCH2		Siemens AG	177791
VERS.	CHANGE NUMBER	DATE	NAME
3	31426	7.09.2005	WDM





### WOLF 5 - UMTS TX AND PA

DATE	24.05.2005	WOLF5 MAINBOARD B2.2.3 Assembly V1 TOP HIERARCHY LEVEL SCHEMATIC	1:1
USER	NB		
APPR'D			
MD PD HW4 MCH2		Siemens AG	177791
VERS.	3		
DATE	7.09.2005	NAME	WDM
( Created by BOM number: A5B00900188990-31426 )			

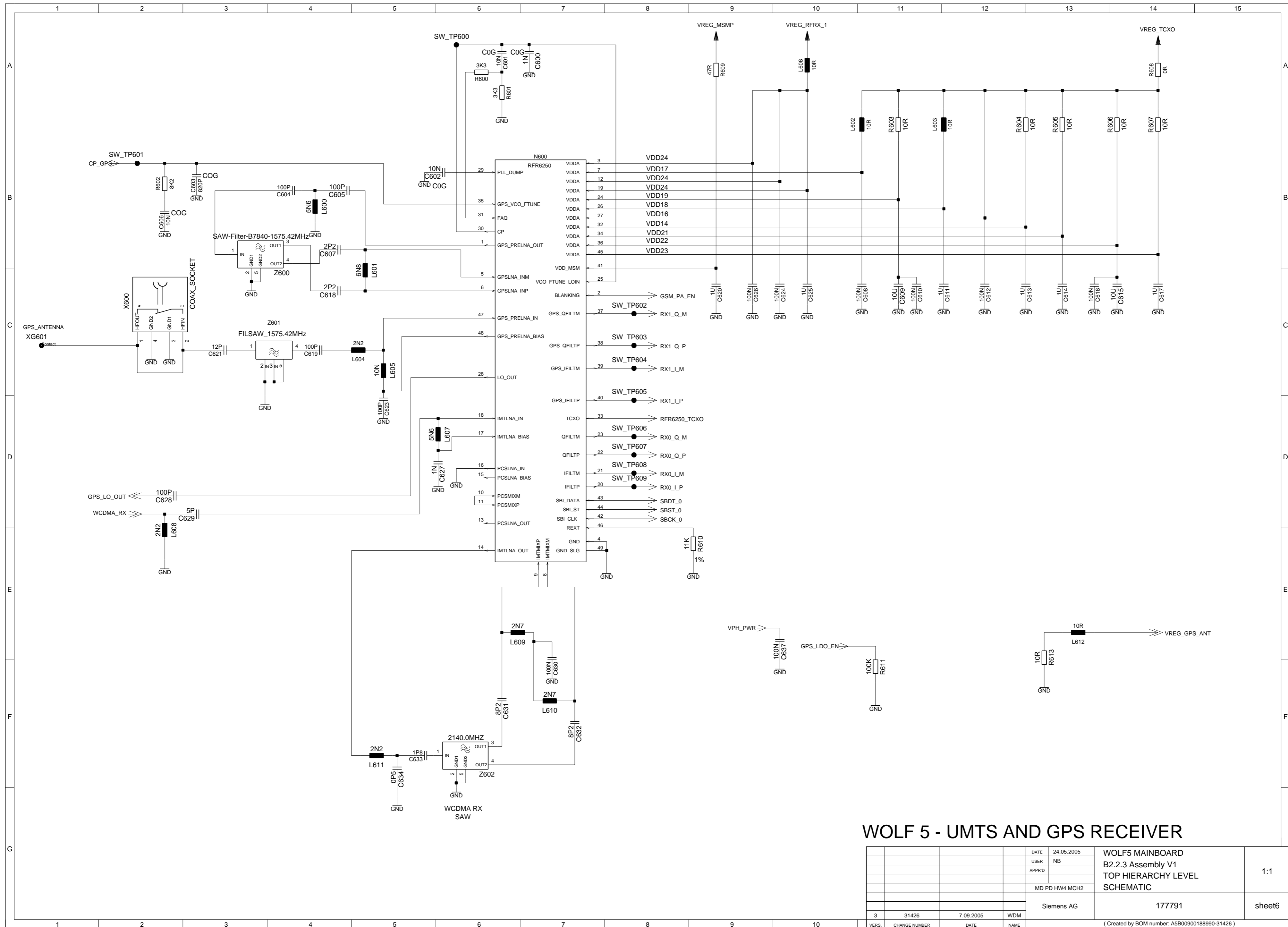


## WOLF 5 - RF TRANSCEIVER

DATE	24.05.2005	WOLF5 MAINBOARD B2.2.3 Assembly V1 TOP HIERARCHY LEVEL SCHEMATIC	1:1
USER	NB		
APPR'D			
MD PD HW4 MCH2		Siemens AG	177791
VERS.	3		
DATE	7.09.2005	NAME	WDM
( Created by BOM number: A5B00900188990-31426 )			

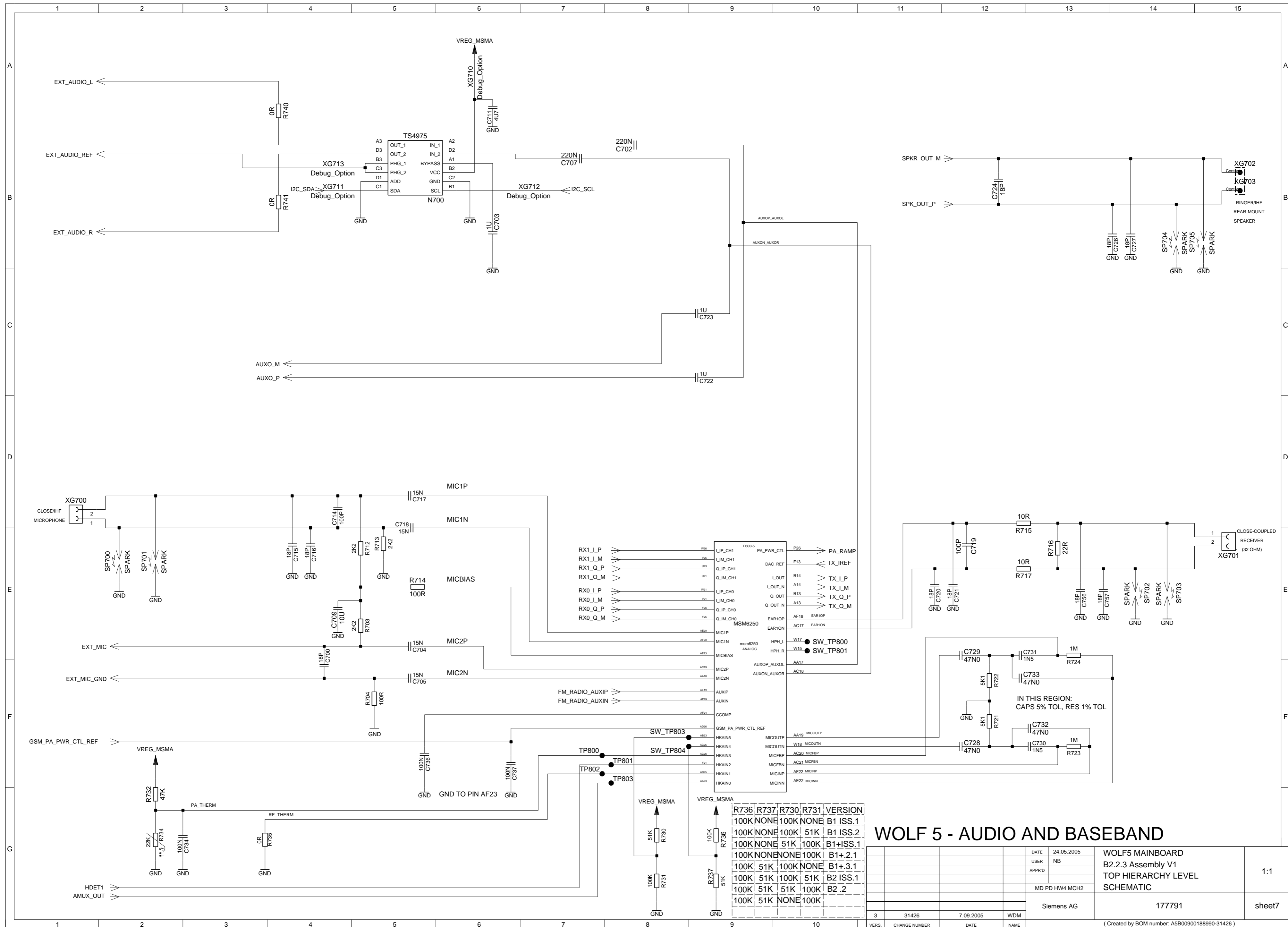
Proprietary data, Company confidential.  
all rights reserved

Als Betriebsgeheimnis anvertraut  
alle Rechte vorbehalten



### WOLF 5 - UMTS AND GPS RECEIVER

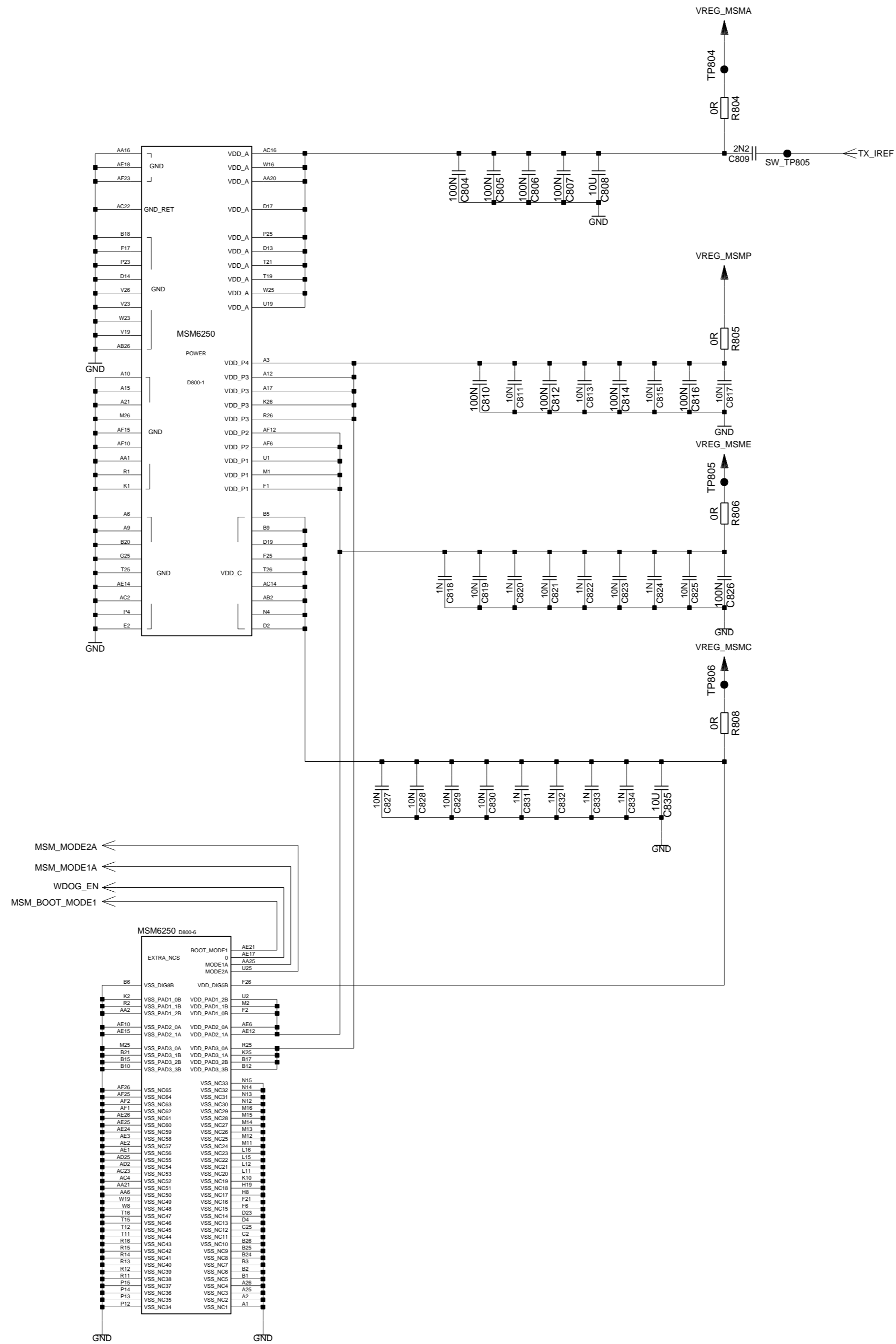
DATE	24.05.2005	WOLF5 MAINBOARD B2.2.3 Assembly V1 TOP HIERARCHY LEVEL SCHEMATIC	1:1
USER	NB		
APPR'D			
MD PD HW4 MCH2		Siemens AG	177791
VERS.	3		
DATE	7.09.2005	NAME	WDM
( Created by BOM number: A5B00900188990-31426 )			



## WOLF 5 - AUDIO AND BASEBAND

DATE	24.05.2005	WOLF5 MAINBOARD	
USER	NB	B2.2.3 Assembly V1	
APPRD		TOP HIERARCHY LEVEL	
		SCHEMATIC	1:1
		Siemens AG	177791
			sheet7

( Created by BOM number: A5B00900188990-31426 )

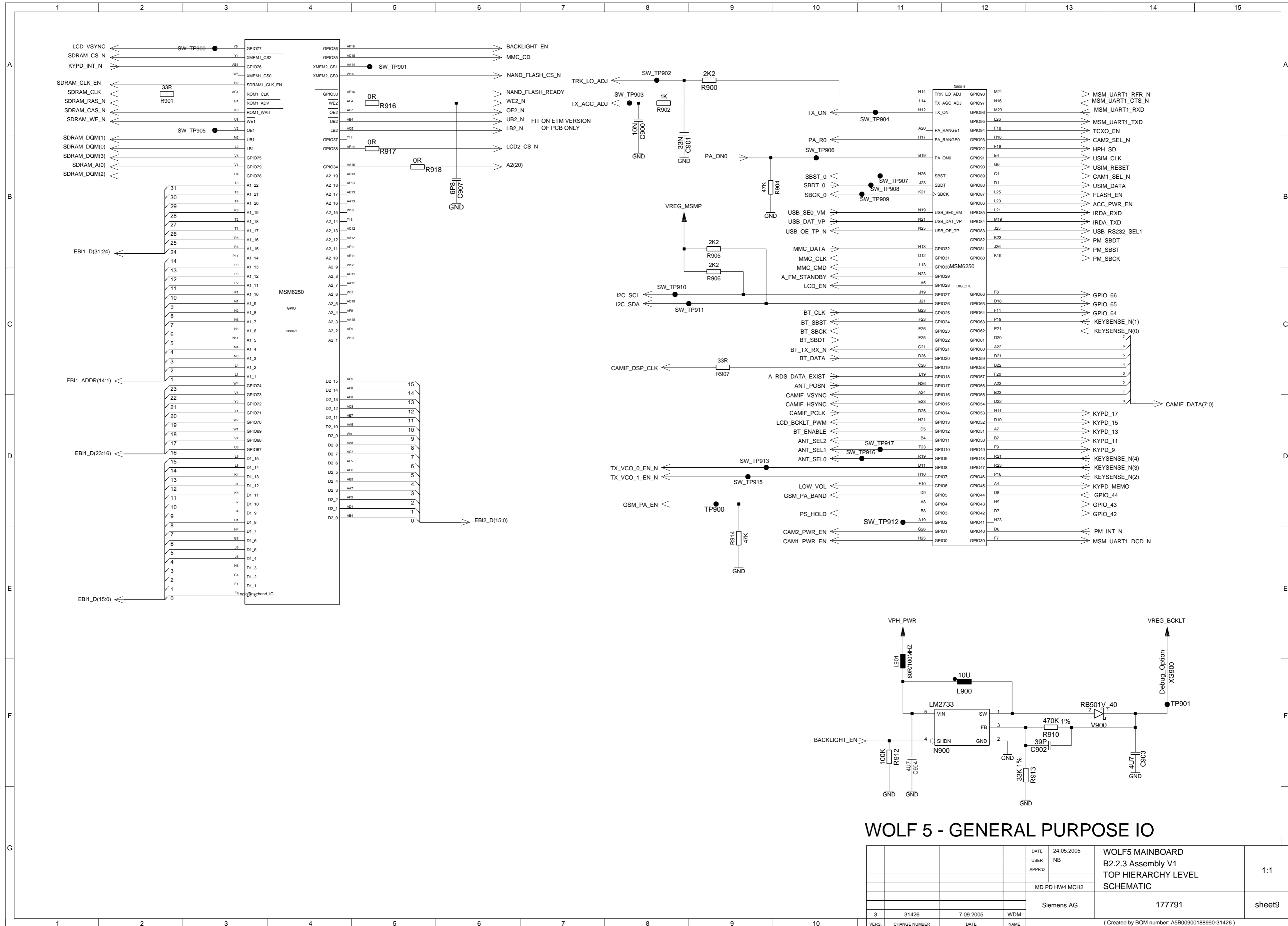


### WOLF 5 - MSM6250

DATE	24.05.2005	WOLF5 MAINBOARD B2.2.3 Assembly V1 TOP HIERARCHY LEVEL SCHEMATIC	1:1
USER	NB		
APPR'D			
MD PD HW4 MCH2		Siemens AG	177791
VERS.	3		
DATE	7.09.2005	WDM	sheet8
( Created by BOM number: A5B00900188990-31426 )			

Proprietary data, Company confidential.  
all rights reserved

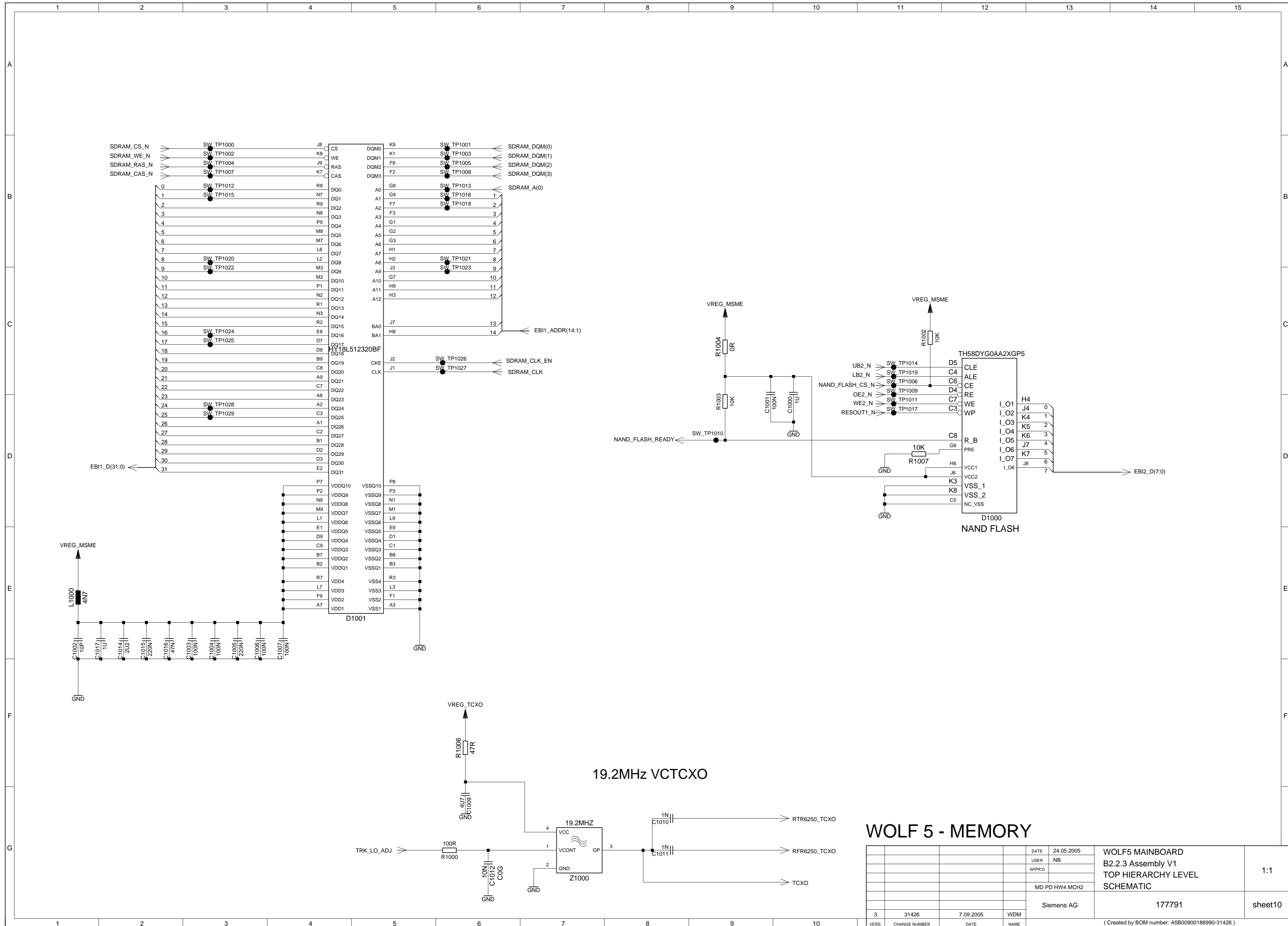
Als Betriebsgeheimnis anvertraut  
alle Rechte vorbehalten



### WOLF 5 - GENERAL PURPOSE IO

DATE	24.05.2005	WOLF5 MAINBOARD B2.2.3 Assembly V1 TOP HIERARCHY LEVEL SCHEMATIC	1:1
USER	NB		
APPR'D			
MD PD HW4 MCH2			
Siemens AG		177791	sheet9
( Created by BOM number: A5B00900188990-31426 )			

VERS.	CHANGE NUMBER	DATE	NAME
3	31426	7.09.2005	WDM

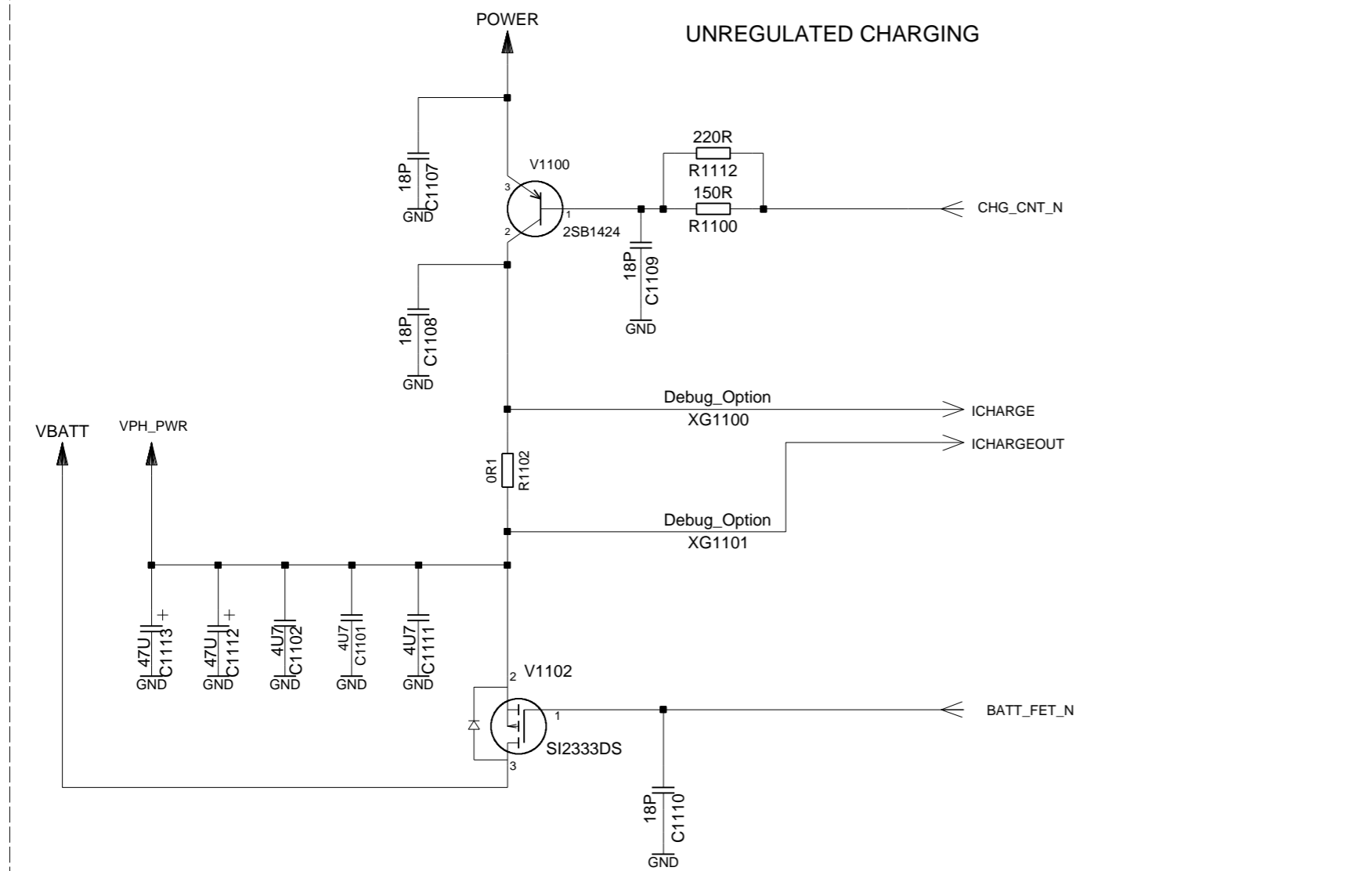


### WOLF 5 - MEMORY

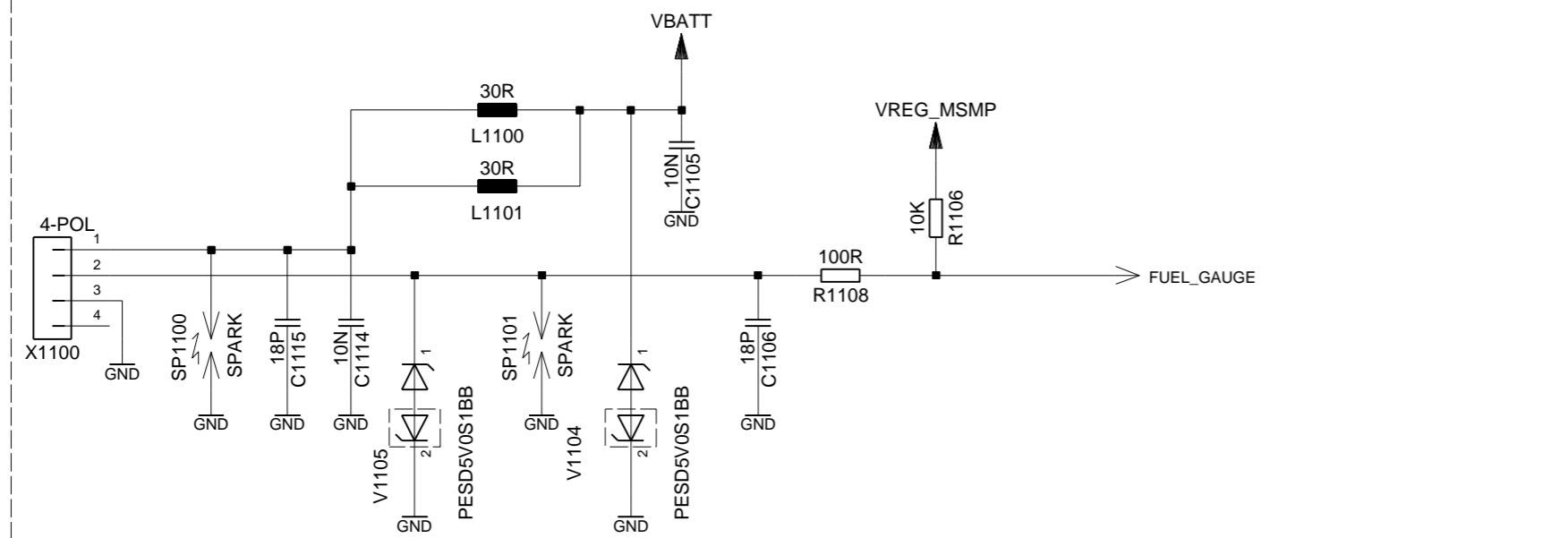
DATE	24.05.2005	WOLF5 MAINBOARD	
USER	NB	B2.2.3 Assembly V1	
APPR'D		TOP HIERARCHY LEVEL	1:1
		SCHEMATIC	
		Siemens AG	177791
			sheet10
VERS.	CHANGE NUMBER	DATE	NAME
3	31426	7.09.2005	WDM

( Created by BOM number: A5B00900188990-31426 )

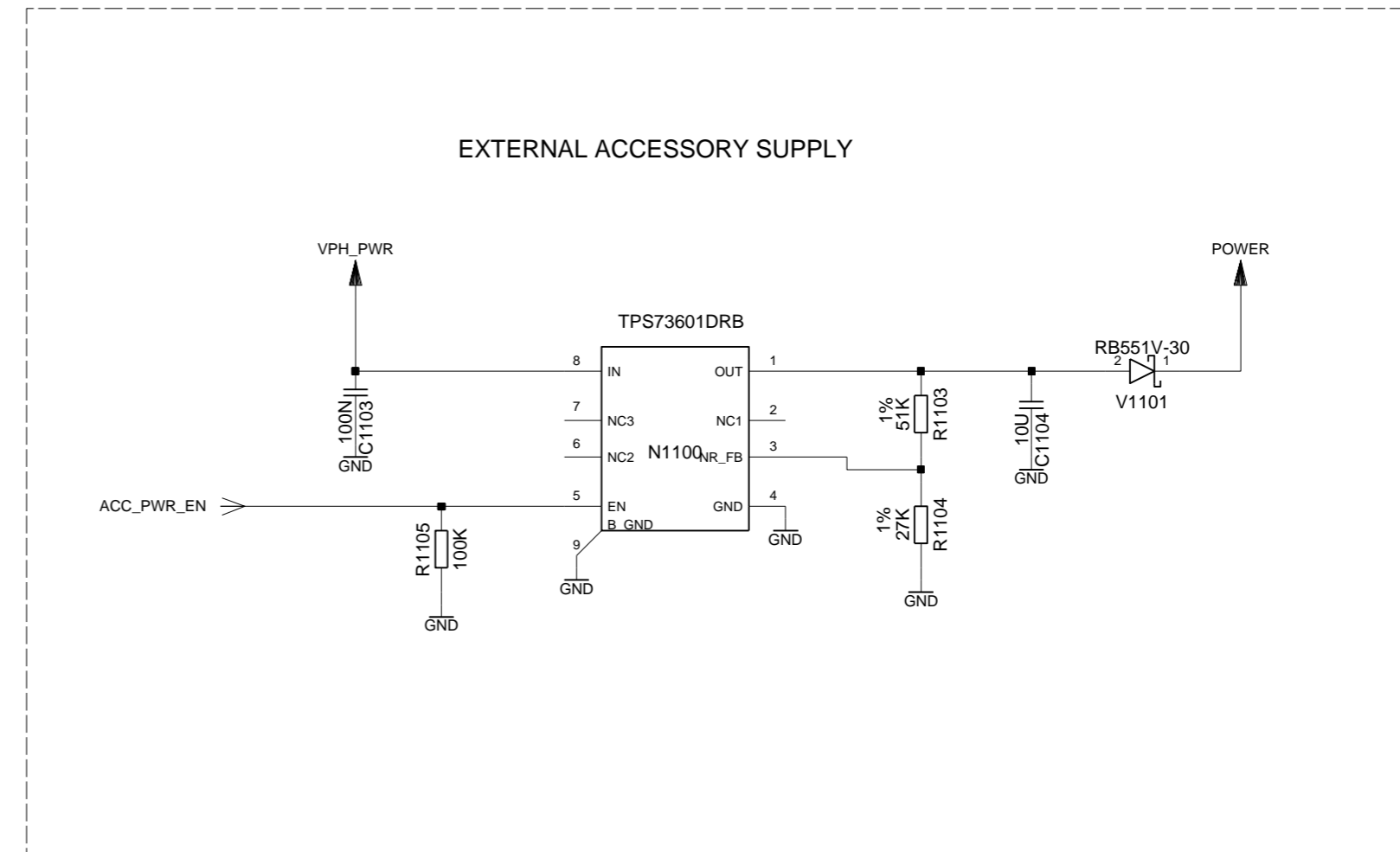
### BATTERY CHARGER / PHONE POWER



### BATTERY CONTACTS AND HKADC SIGNAL CONDITIONING



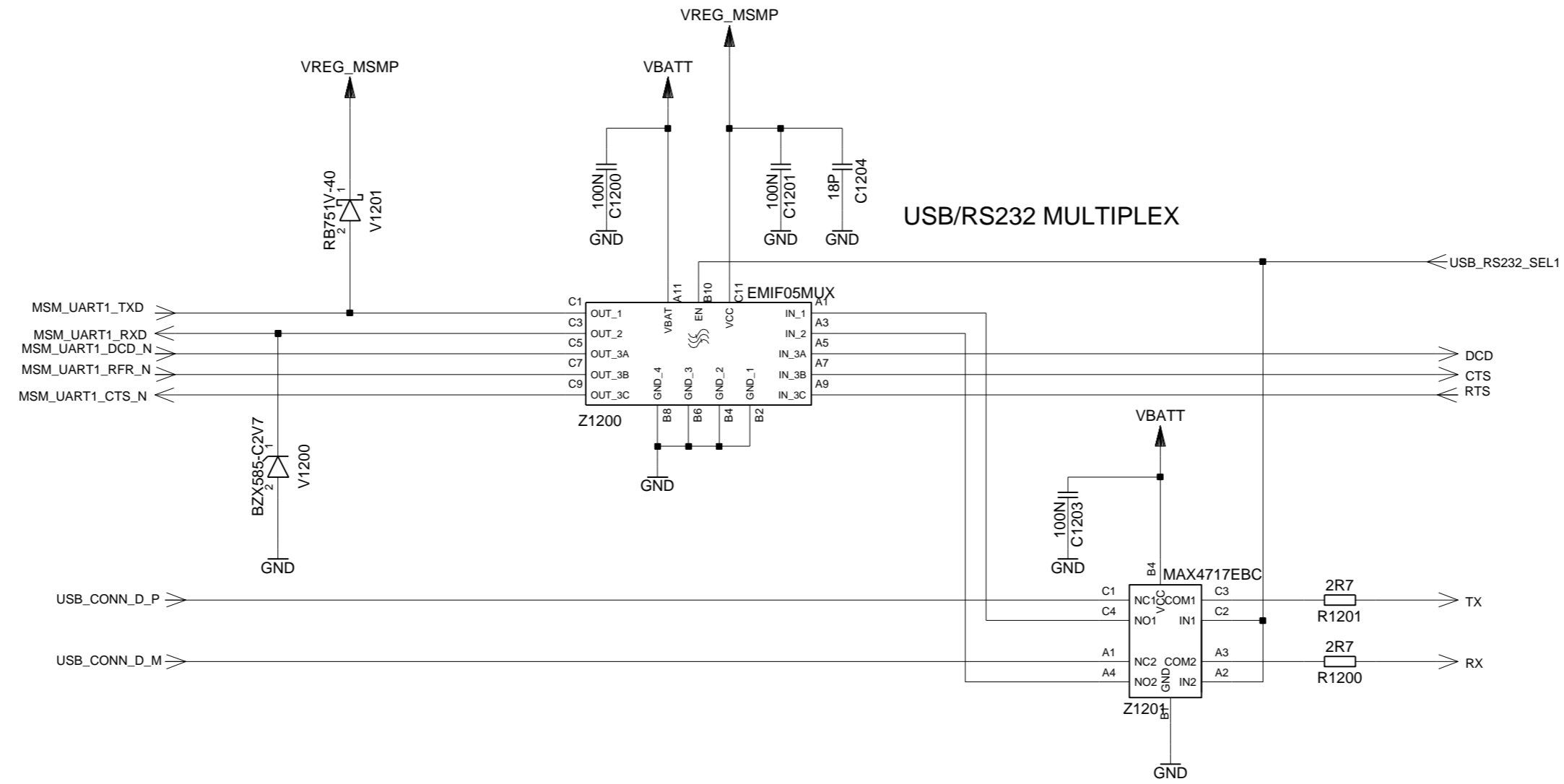
### EXTERNAL ACCESSORY SUPPLY



### WOLF 5 - BATT.CHARGER / PHONE PWR

DATE	24.05.2005	WOLF5 MAINBOARD B2.2.3 Assembly V1 TOP HIERARCHY LEVEL SCHEMATIC	1:1
USER	NB		
APPR'D			
MD PD HW4 MCH2		Siemens AG	177791
VERS.	3		
DATE	7.09.2005	NAME	WDM
( Created by BOM number: A5B00900188990-31426 )			



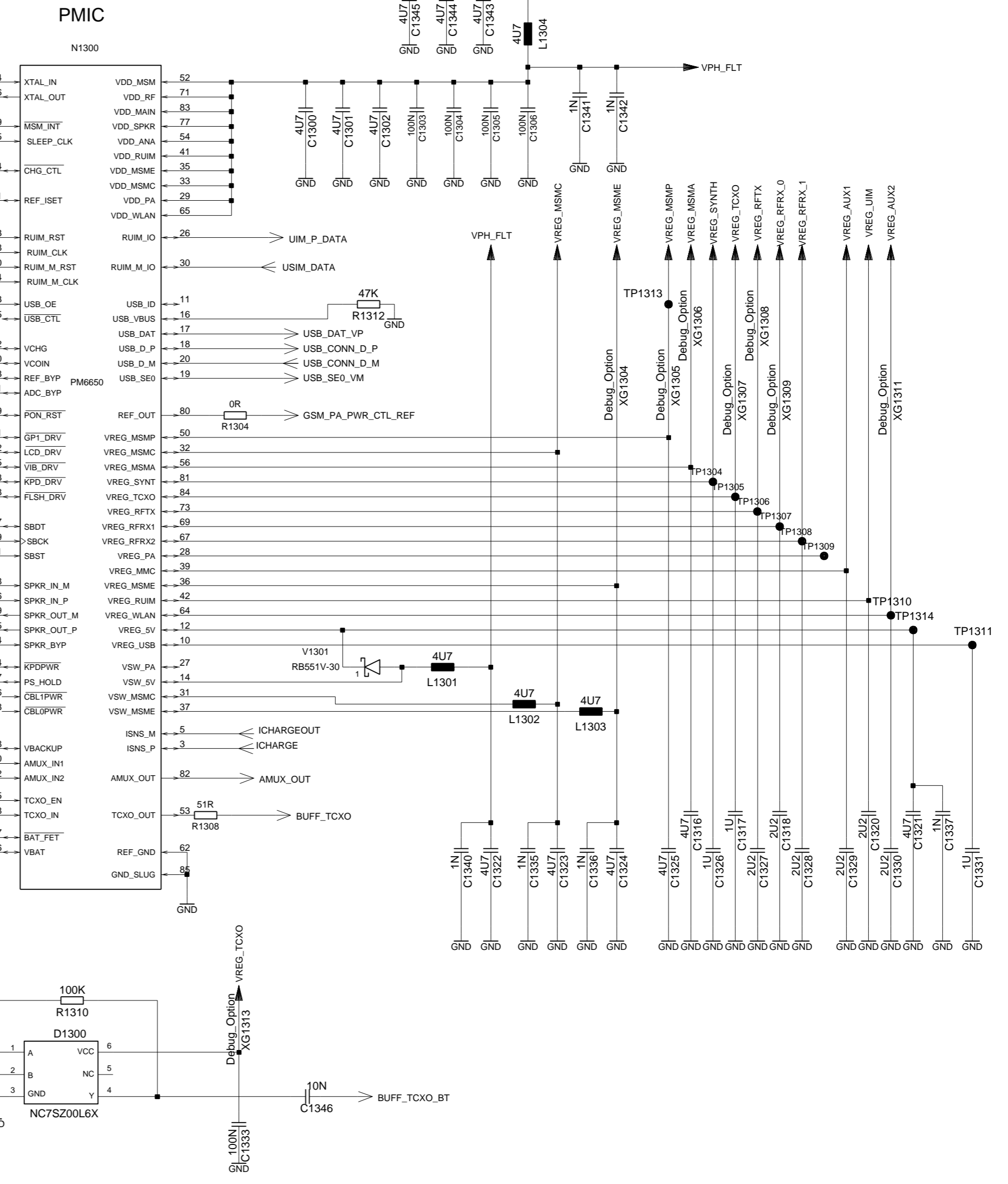
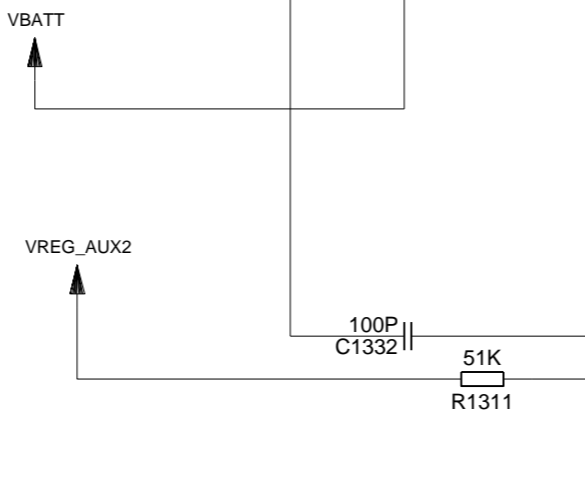
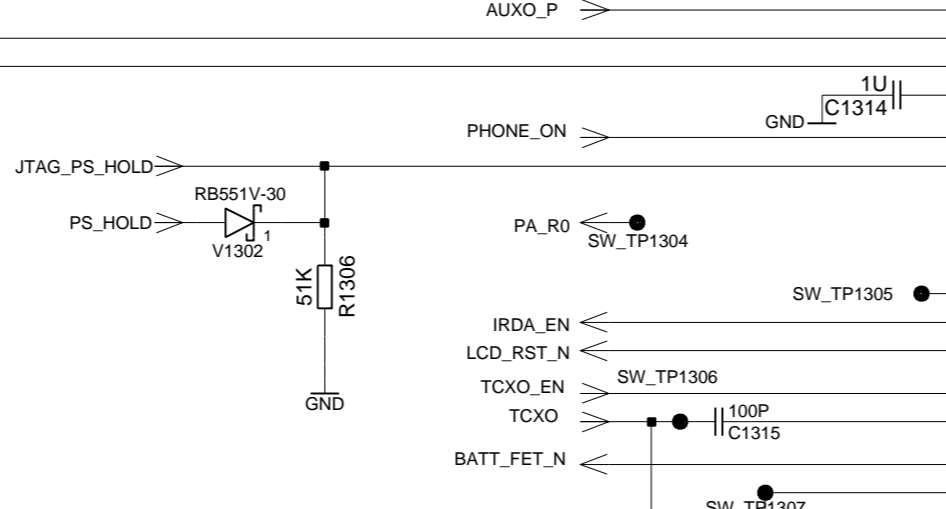
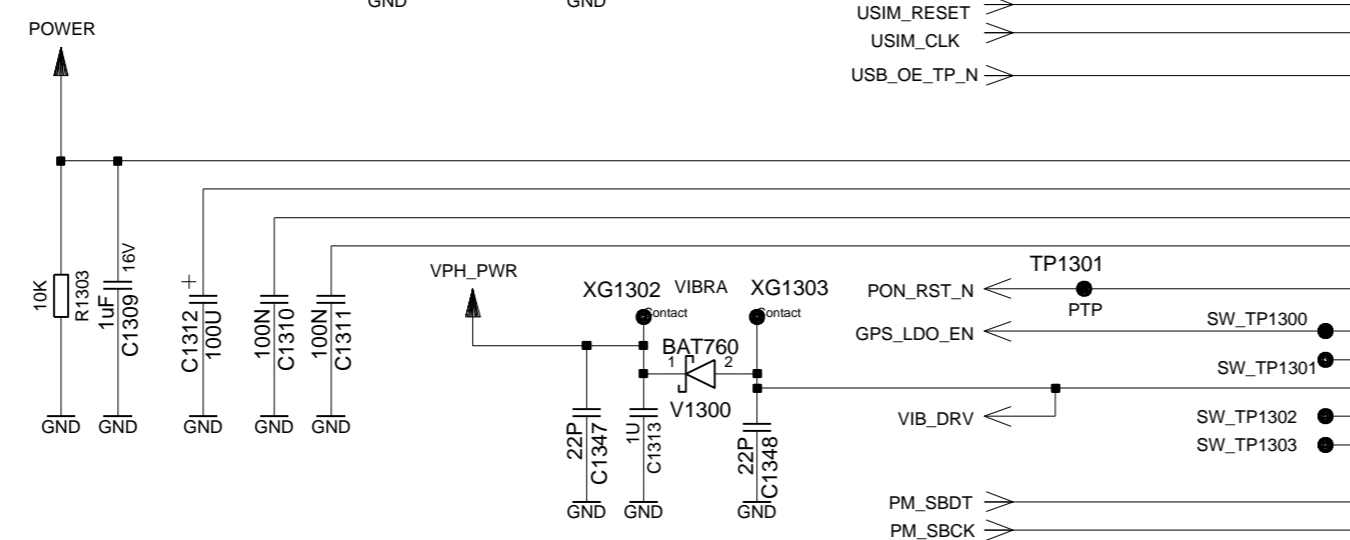
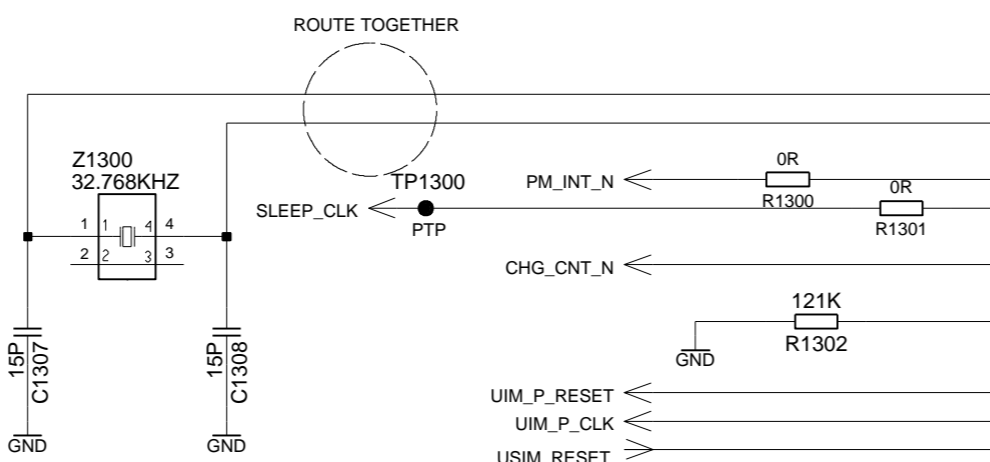
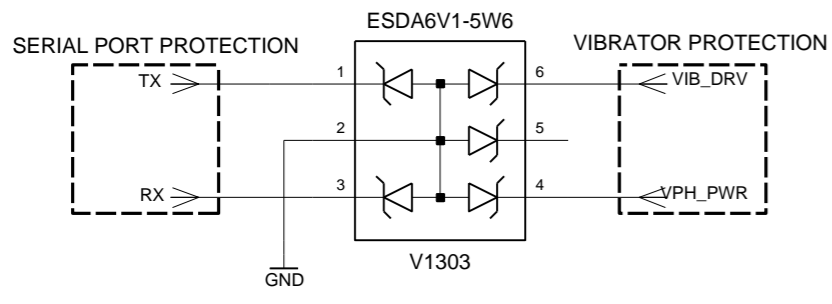


### WOLF 5 - USB/RS232 MULTIPLEX

DATE	24.05.2005	WOLF5 MAINBOARD B2.2.3 Assembly V1 TOP HIERARCHY LEVEL SCHEMATIC	1:1
USER	NB		
APPR'D			
MD PD HW4 MCH2		Siemens AG	177791
VERS.	3		
DATE	7.09.2005	NAME	WDM
( Created by BOM number: A5B00900188990-31426 )			

Proprietary data, Company confidential.  
all rights reserved

Als Betriebsgeheimnis anvertraut  
alle Rechte vorbehalten



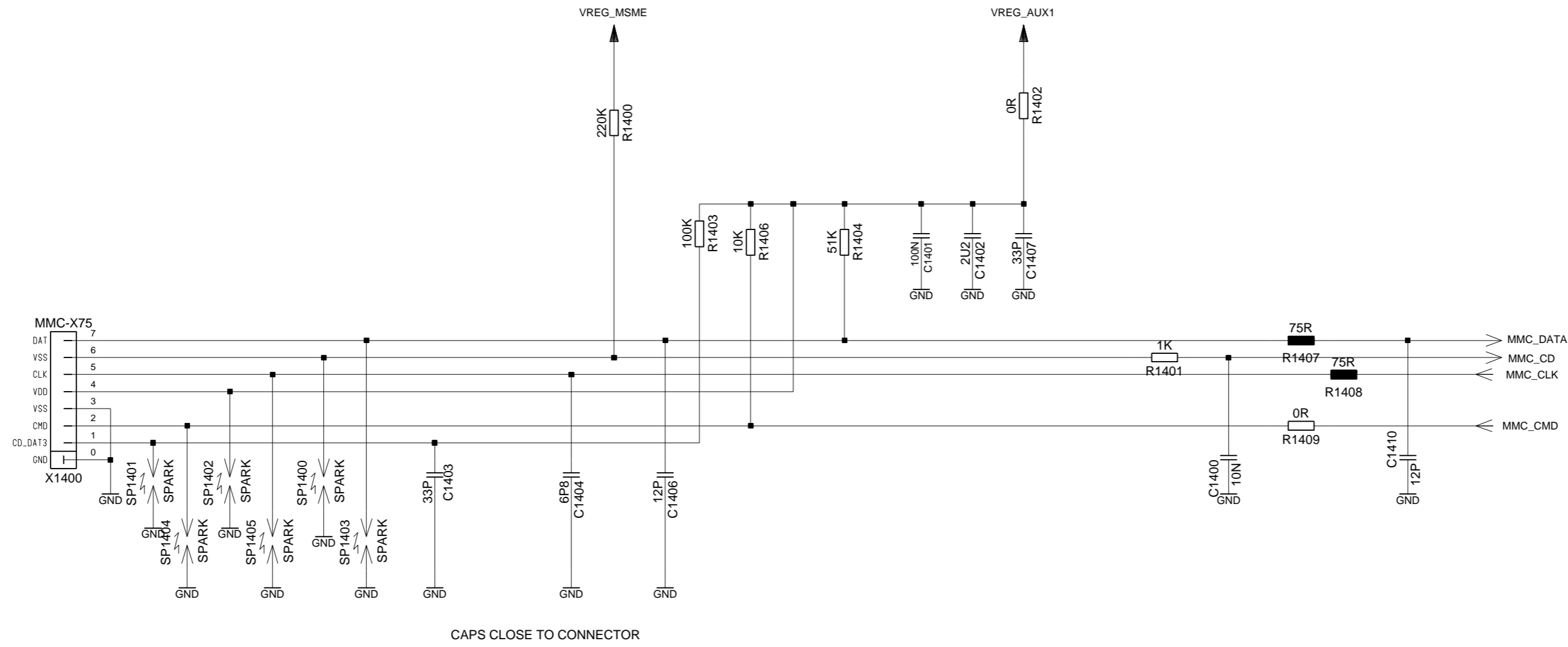
NET	VOLTAGE
VREG_5V	5V00
VREG_MSMC	1V375
VREG_MSME	1V85
VREG_USB	3V30
VREG_AUX1	2V85
VREG_AUX2	2V85
VREG_UIM	3V00
VREG_MSMP	2V60
VREG_MSMA	2V60
VREG_RFRX_1	2V85
VREG_RFRX_0	2V85
VREG_RFTX	2V85
VREG_SYNT	2V85
VREG_TCXO	2V85
VREG_BCKLT	18V75
VREG_CAM1	2V85
VREG_CAM2	2V85
VREG_GPS_ANT	2V90
POWER	3V478
(LCD SUPPLY)	2V90

### WOLF 5 - POWER MANAGEMENT

DATE	24.05.2005	WOLF5 MAINBOARD	
USER	NB	B2.2.3 Assembly V1	
APPRD		TOP HIERARCHY LEVEL	
		SCHEMATIC	
		MD PD HW4 MCH2	
		Siemens AG	177791
VERS.	3	CHANGE NUMBER	31426
		DATE	7.09.2005
		NAME	WDM
		( Created by BOM number: A5B00900188990-31426 )	

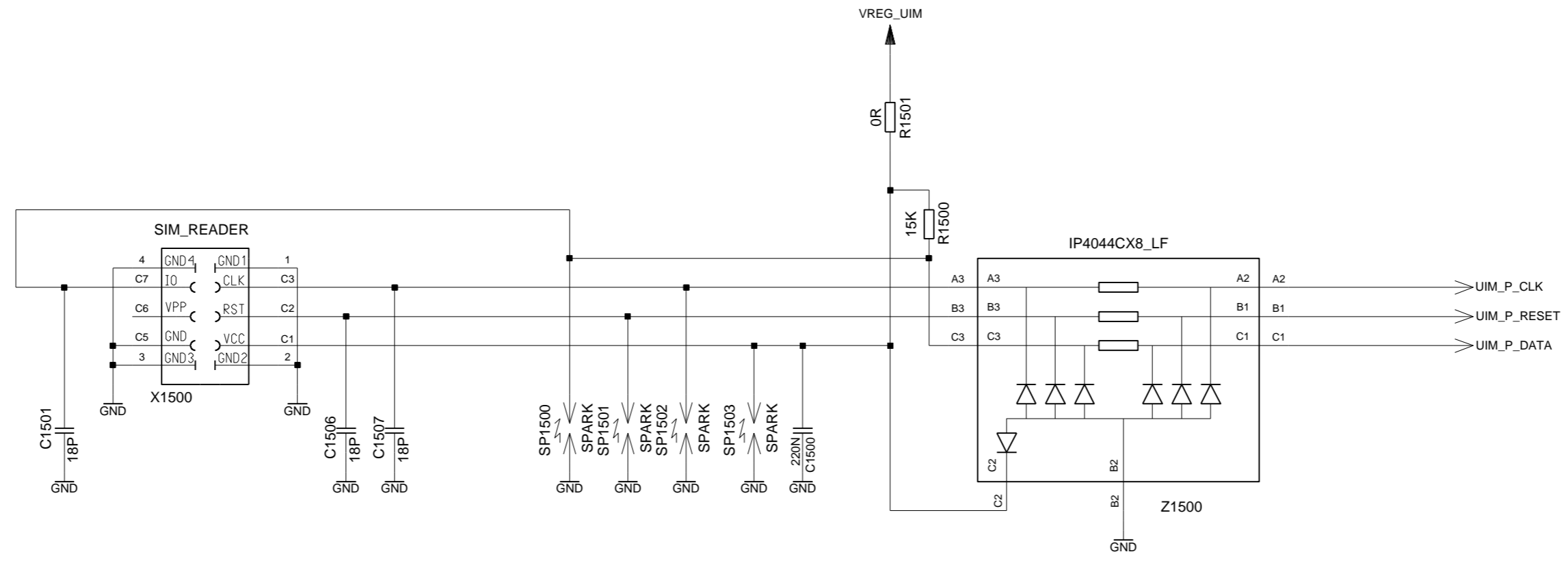
1:1

sheet13



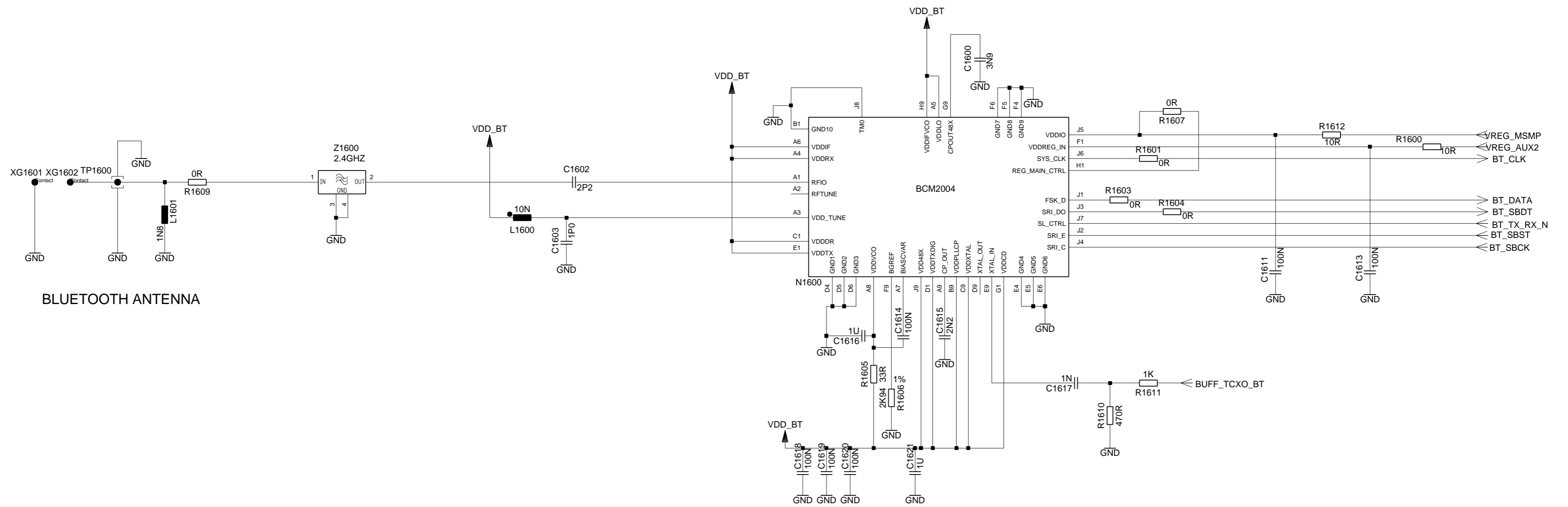
## WOLF 5 - MULTIMEDIA CARD

DATE	24.05.2005	WOLF5 MAINBOARD B2.2.3 Assembly V1 TOP HIERARCHY LEVEL SCHEMATIC	1:1
USER	NB		
APPR'D			
MD PD HW4 MCH2		Siemens AG	177791
VERS.	3		
DATE	7.09.2005	NAME	WDM
( Created by BOM number: A5B00900188990-31426 )			



## WOLF 5 - SIM CARD

				DATE	24.05.2005	WOLF5 MAINBOARD B2.3 Assembly V1 TOP HIERARCHY LEVEL SCHEMATIC	1:1
				USER	NB		
				APPR'D			
						MD PD HW4 MCH2	
						Siemens AG	177791
3	31426	7.09.2005	WDM				sheet15
VERS.	CHANGE NUMBER	DATE	NAME	( Created by BOM number: A5B00900188990-31426 )			

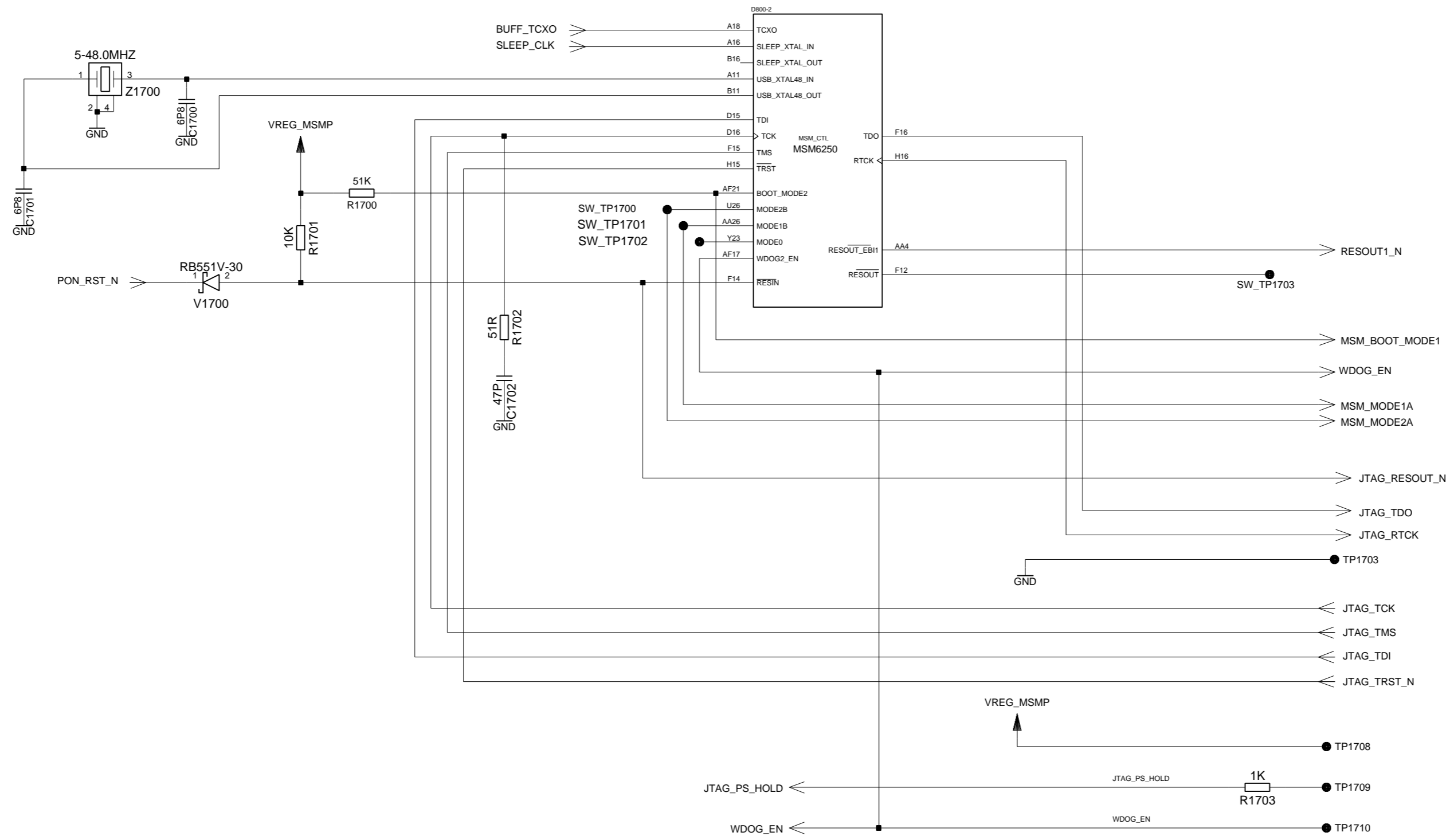


### WOLF 5 - BLUETOOTH

DATE	24.05.2005	WOLF5 MAINBOARD B2.2.3 Assembly V1 TOP HIERARCHY LEVEL SCHEMATIC	1:1
USER	NB		
APPR'D			
MD PD HW4 MCH2		Siemens AG	177791
VERS.	3		
DATE	7.09.2005	NAME	WDM
( Created by BOM number: A5B00900188990-31426 )			

Proprietary data, Company confidential.  
all rights reserved

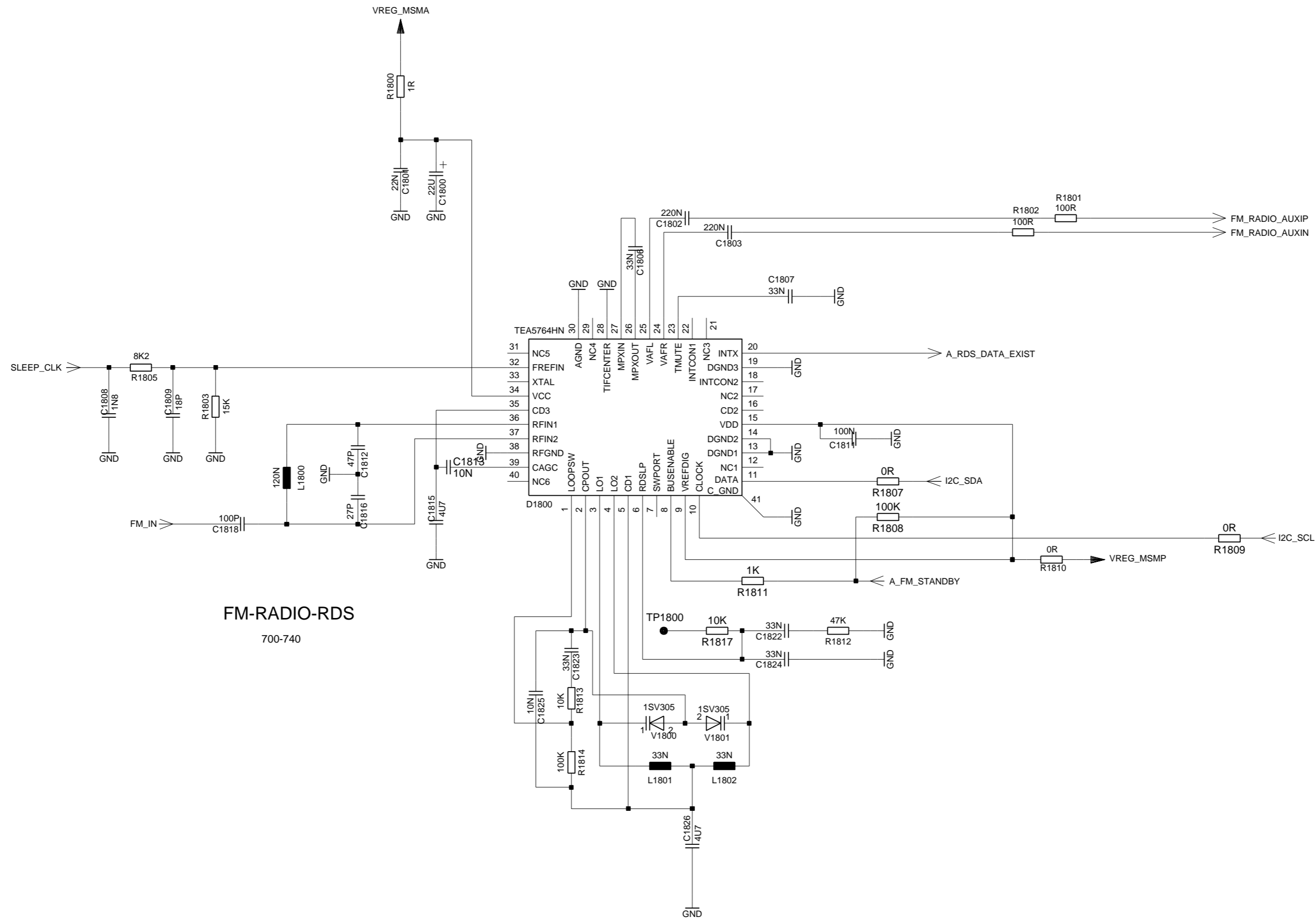
Als Betriebsgeheimnis anvertraut  
alle Rechte vorbehalten



## WOLF 5 - JTAG/MODE SELECT

DATE	24.05.2005	WOLF5 MAINBOARD B2.2.3 Assembly V1 TOP HIERARCHY LEVEL SCHEMATIC	1:1
USER	NB		
APPR'D			
MD PD HW4 MCH2		Siemens AG	177791
VERS.	3		
DATE	7.09.2005	NAME	WDM
( Created by BOM number: A5B00900188990-31426 )			

sheet17



FM-RADIO-RDS  
700-740

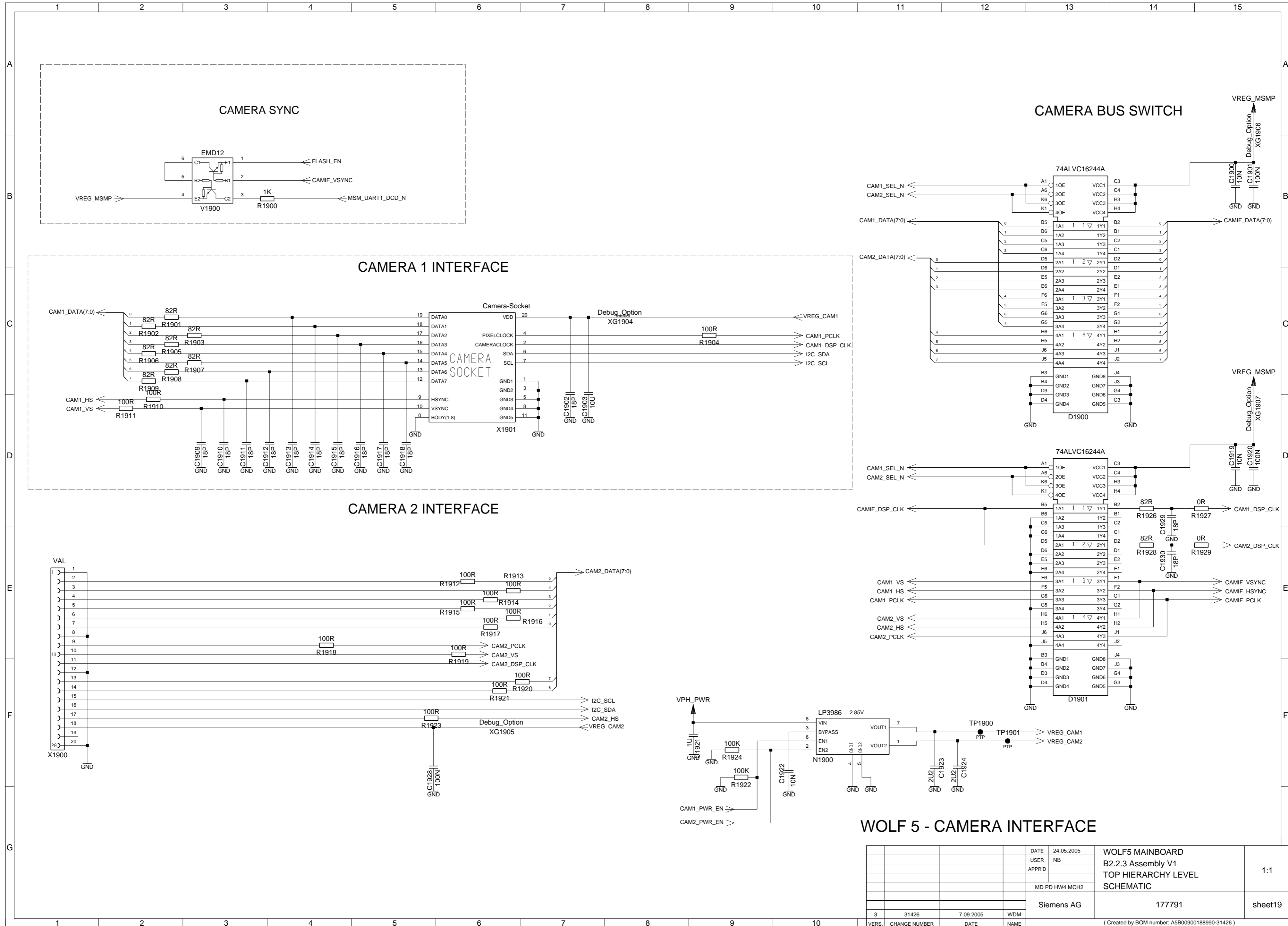
WOLF 5 - FM RADIO-RDS 700-740

DATE	24.05.2005	WOLF5 MAINBOARD B2.2.3 Assembly V1 TOP HIERARCHY LEVEL SCHEMATIC	1:1
USER	NB		
APPR'D			
MD PD HW4 MCH2			
Siemens AG		177791	sheet18
VERS.	CHANGE NUMBER	DATE	NAME
3	31426	7.09.2005	WDM

( Created by BOM number: A5B00900188990-31426 )

Proprietary data, Company confidential.  
all rights reserved

Als Betriebsgeheimnis anvertraut  
alle Rechte vorbehalten



WOLF 5 - CAMERA INTERFACE

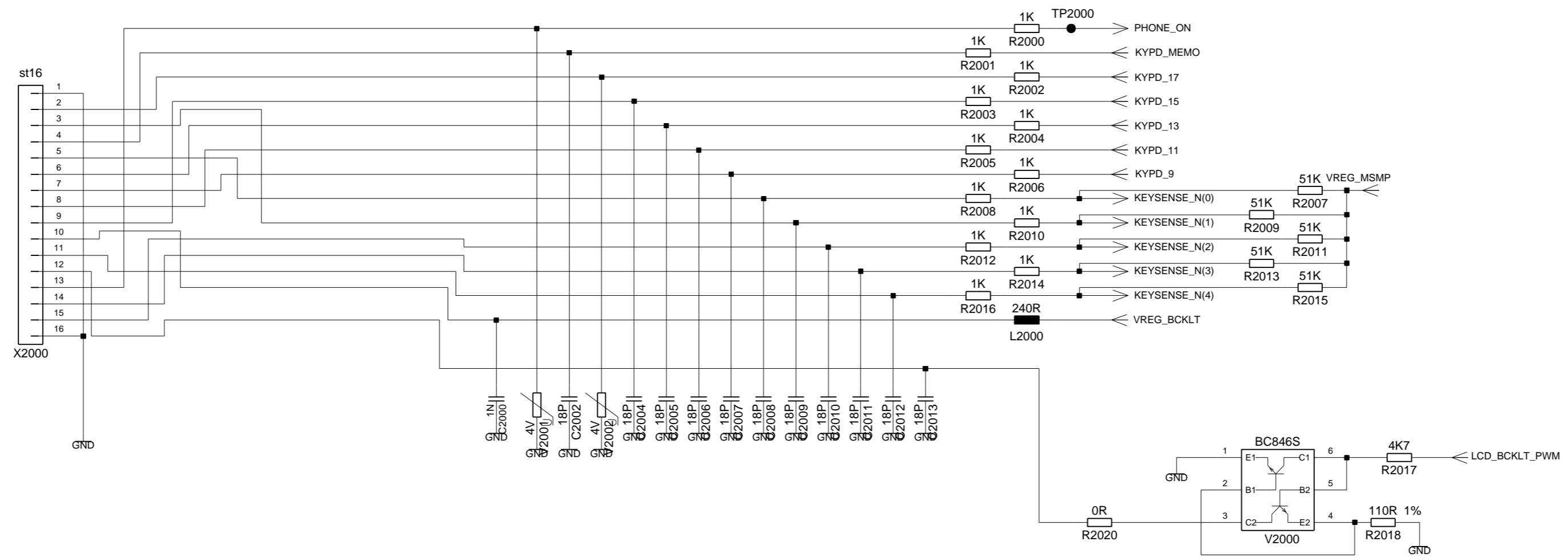
DATE	24.05.2005	WOLF5 MAINBOARD B2.2.3 Assembly V1 TOP HIERARCHY LEVEL SCHEMATIC	1:1
USER	NB		
APPRD			
MD PD HW4 MCH2		Siemens AG	177791
3	31426		
VERS.	CHANGE NUMBER	DATE	NAME

( Created by BOM number: A5B00900188990-31426 )



Proprietary data, Company confidential.  
all rights reserved

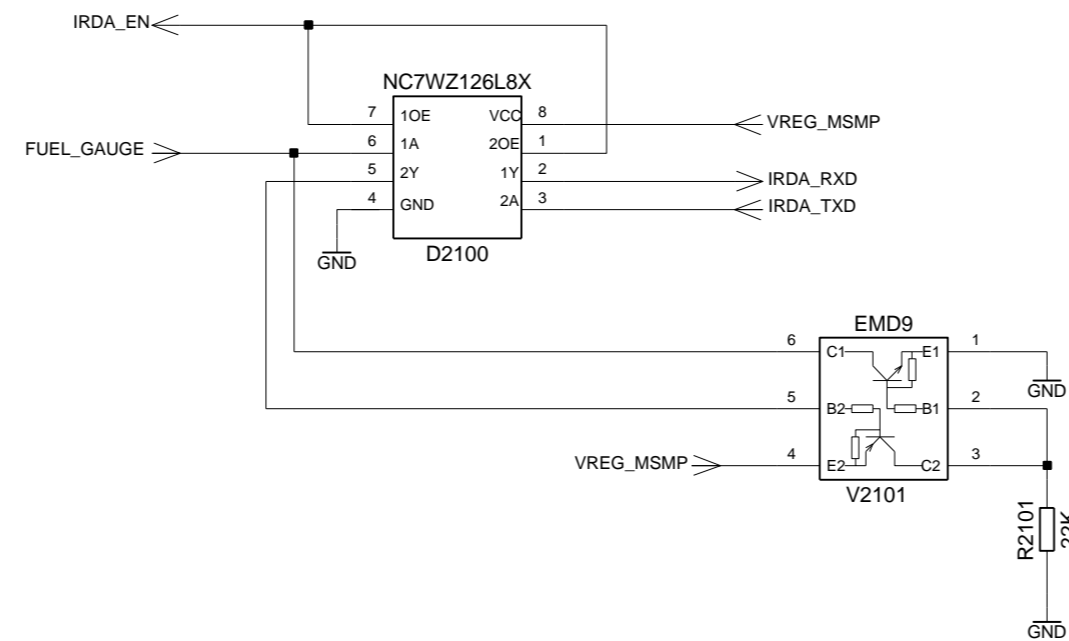
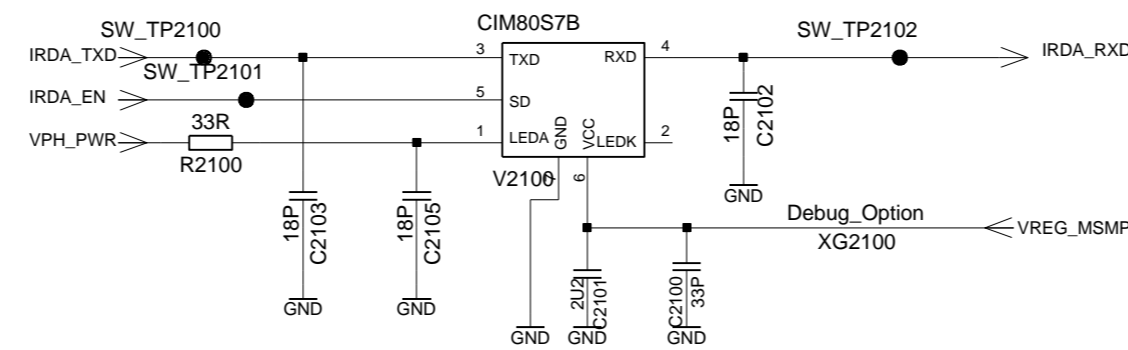
Als Betriebsgeheimnis anvertraut  
alle Rechte vorbehalten



## WOLF 5 - KEYPAD

			DATE	24.05.2005	WOLF5 MAINBOARD B2.2.3 Assembly V1 TOP HIERARCHY LEVEL SCHEMATIC	1:1
		USER	NB			
		APPR'D				
				MD PD HW4 MCH2		
				Siemens AG	177791	sheet20
3	31426	7.09.2005	WDM	( Created by BOM number: A5B00900188990-31426 )		
VERS.	CHANGE NUMBER	DATE	NAME			

### IRDA



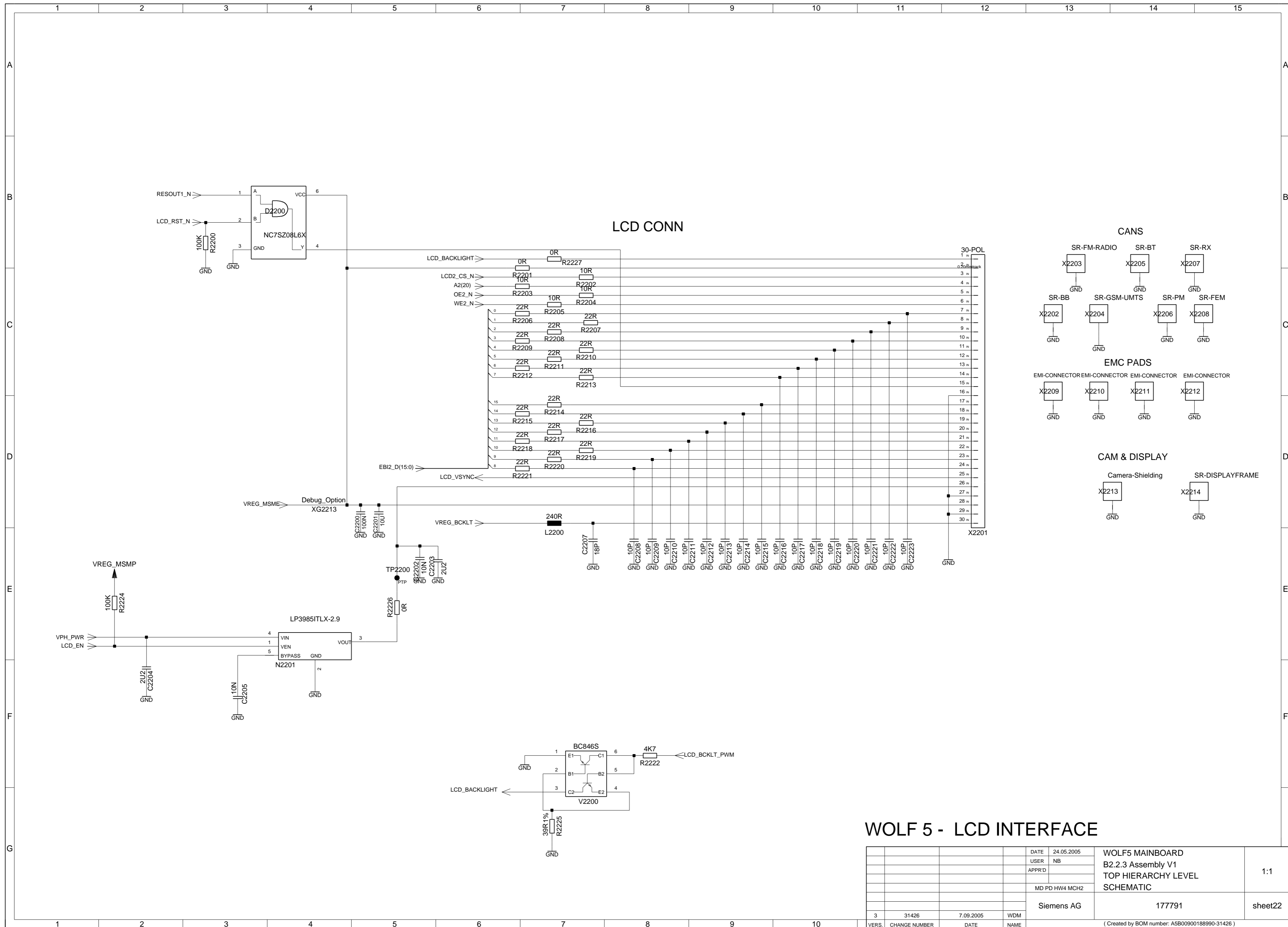
### WOLF 5 - IRDA AND FUEL GAUGE

DATE	24.05.2005	WOLF5 MAINBOARD B2.2.3 Assembly V1 TOP HIERARCHY LEVEL SCHEMATIC	1:1
USER	NB		
APPR'D			
MD PD HW4 MCH2		Siemens AG	sheet21
VERS.	3		
CHANGE NUMBER	31426	DATE	7.09.2005
		NAME	WDM

( Created by BOM number: A5B00900188990-31426 )

Proprietary data, Company confidential.  
all rights reserved

Als Betriebsgeheimnis anvertraut  
alle Rechte vorbehalten



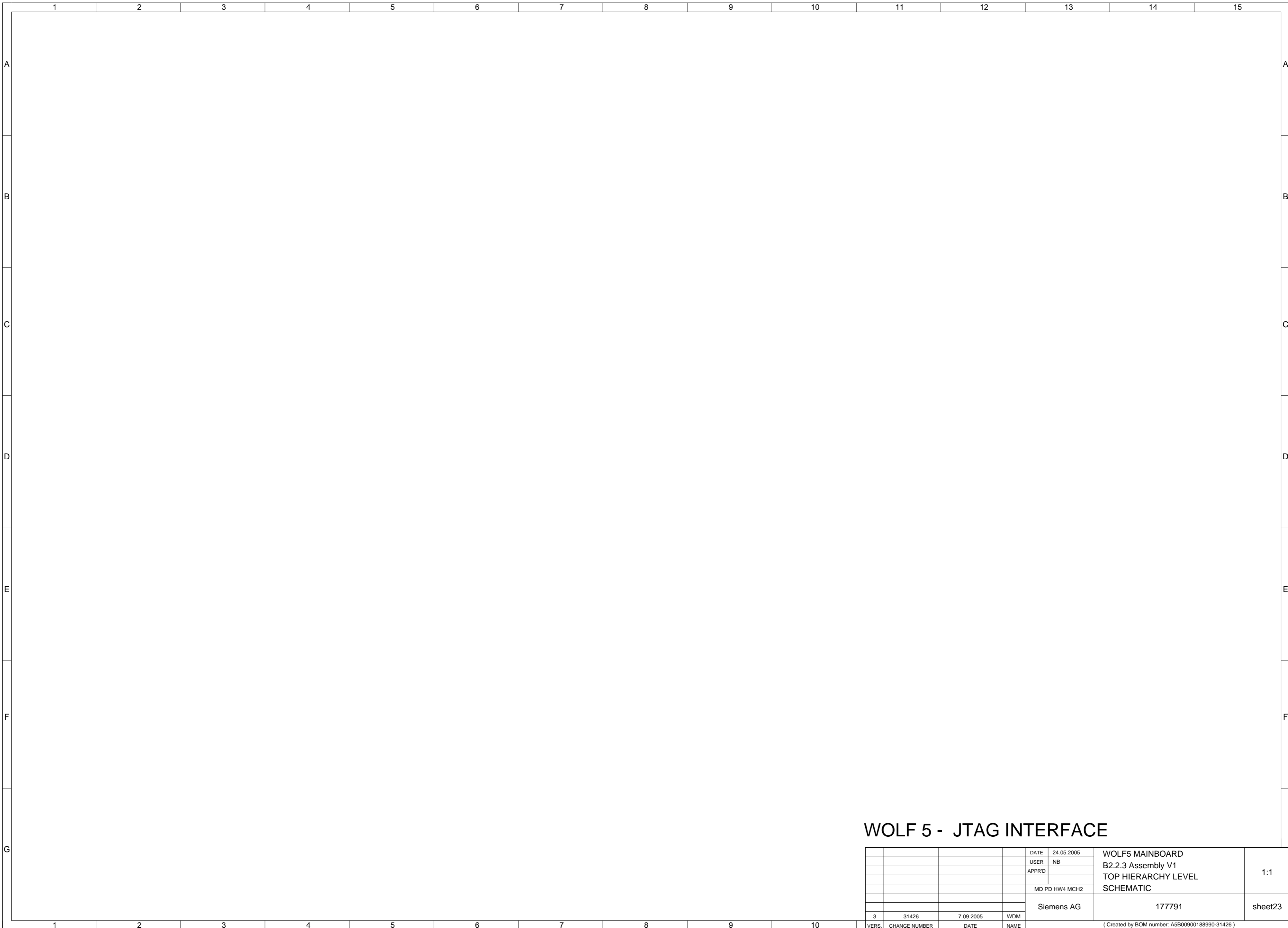
### WOLF 5 - LCD INTERFACE

DATE	24.05.2005	WOLF5 MAINBOARD B2.3 Assembly V1 TOP HIERARCHY LEVEL SCHEMATIC	1:1
USER	NB		
APPR'D			
MD PD HW4 MCH2		Siemens AG	177791
VERS.	3		
DATE	7.09.2005	NAME	WDM
( Created by BOM number: A5B00900188990-31426 )			

sheet22

Proprietary data, Company confidential.  
all rights reserved

Als Betriebsgeheimnis anvertraut  
alle Rechte vorbehalten



### WOLF 5 - JTAG INTERFACE

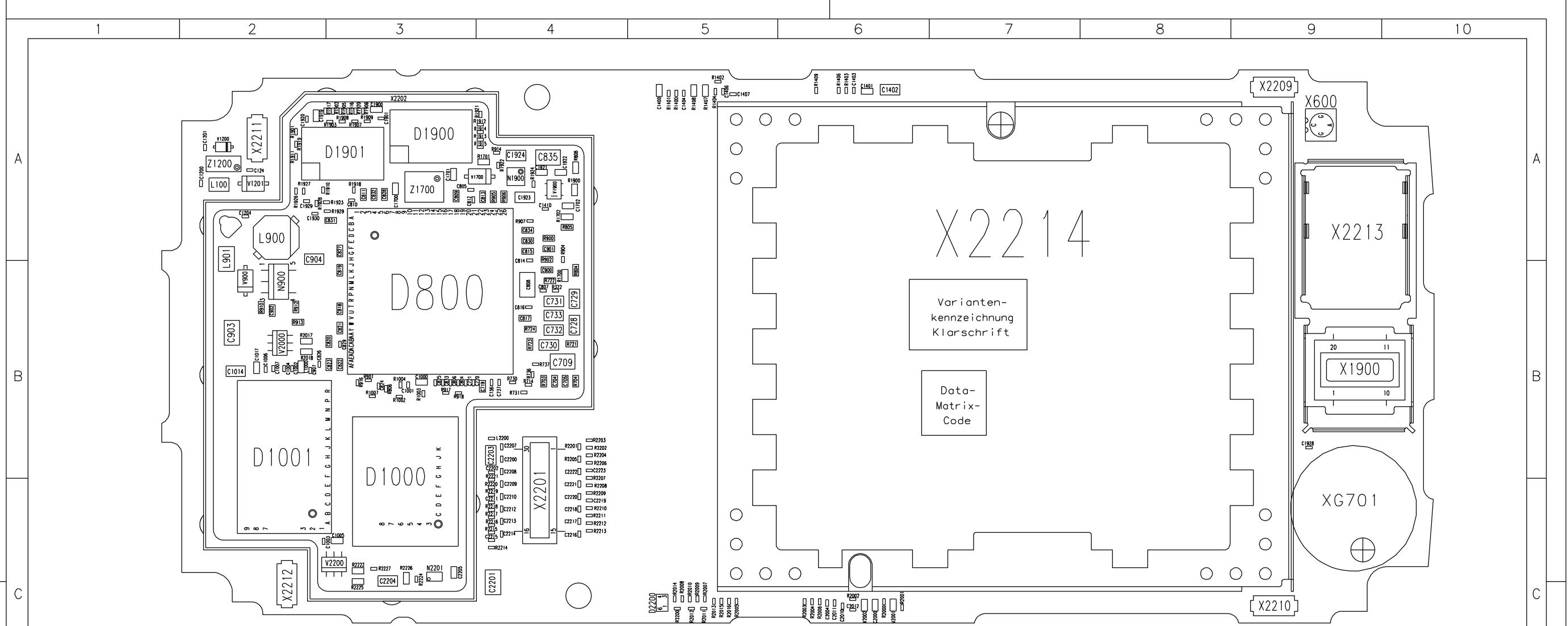
				DATE	24.05.2005	WOLF5 MAINBOARD B2.2.3 Assembly V1 TOP HIERARCHY LEVEL SCHEMATIC	1:1
				USER	NB		
				APPR'D			
						MD PD HW4 MCH2	
						Siemens AG	177791
3	31426	7.09.2005	WDM				
VERS.	CHANGE NUMBER	DATE	NAME	( Created by BOM number: A5B00900188990-31426 )			

sheet23



PROPRIETARY DATA, COMPANY CONFIDENTIAL  
ALL RIGHTS RESERVED

ALS BETRIEBSGEHE IMNIS ANVERTRAUT  
ALLE RECHTE VORBEHALTEN

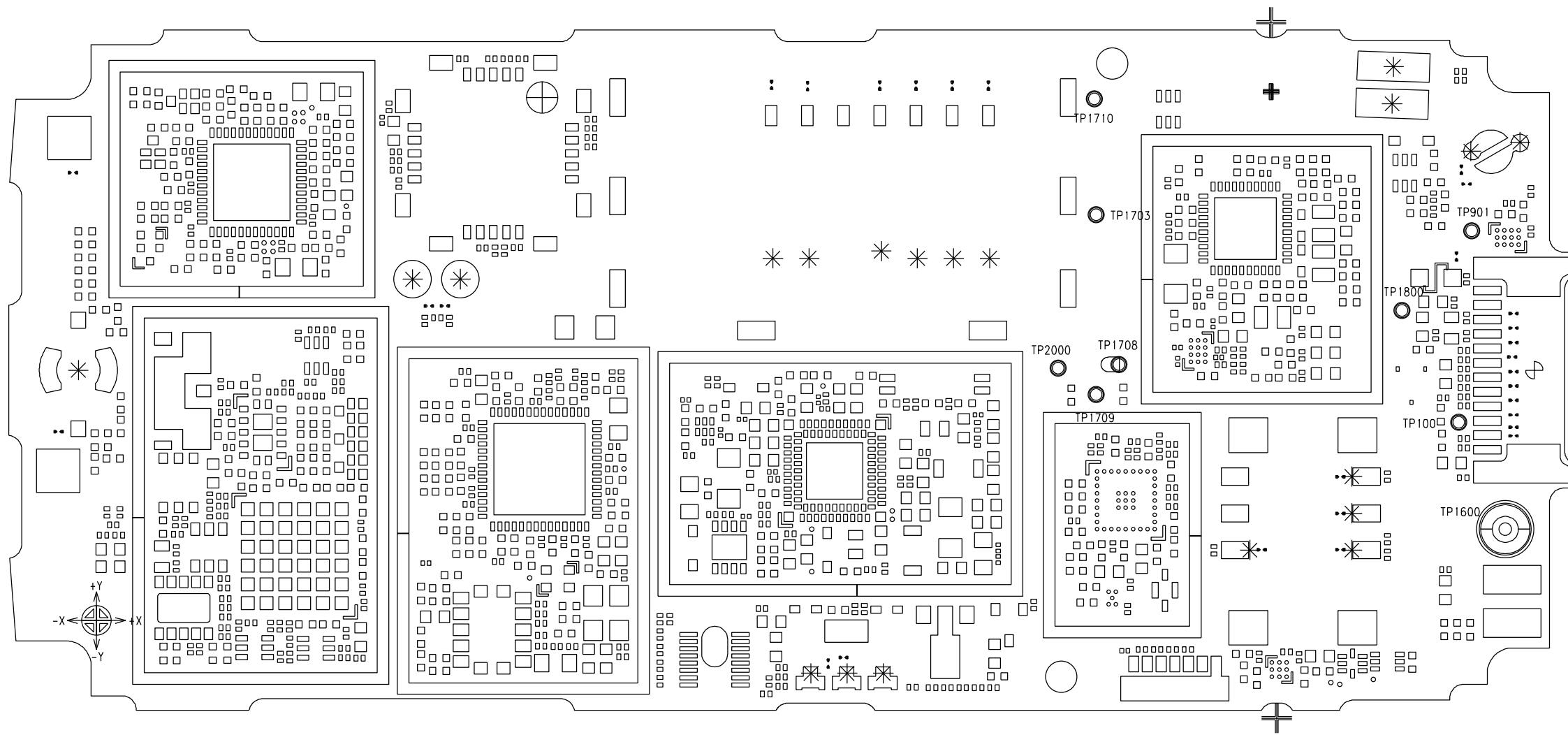


C124	2A	C830	4A	C1922	4A	L900	2A	R1400	5A	R2001	6C	R2224	3C
C704	4B	C831	2A	C1923	4A	L901	2B	R1401	5A	R2002	6C	R2225	3C
C705	4B	C832	3A	C1924	4A	L1000	2B	R1402	5A	R2003	6C	R2226	3C
C709	4B	C833	3B	C1928	9B	L2200	4B	R1403	6A	R2004	6C	R2227	3C
C719	4B	C834	4A	C1929	2A	N900	2B	R1404	5A	R2005	5C	V900	2B
C720	3B	C835	4A	C1930	2A	N1900	4A	R1406	6A	R2006	6C	V1200	2A
C721	3B	C900	4B	C2000	6C	N2201	3C	R1407	5A	R2007	5C	V1201	2A
C728	4B	C901	4A	C2004	6C	R322	4B	R1408	5A	R2008	5C	V1700	4A
C729	4B	C902	2B	C2010	6C	R703	4B	R1409	6A	R2009	5C	V1900	4A
C730	4B	C903	2B	C2011	6C	R704	4B	R1700	4B	R2010	5C	V2000	2B
C731	4B	C904	2A	C2012	6C	R714	4B	R1701	4A	R2011	5C	V2001	6C
C732	4B	C907	2B	C2200	4B	R721	4B	R1702	4A	R2012	5C	V2002	6C
C733	4B	C1000	3B	C2201	4C	R722	4B	R1900	4A	R2013	5C	V2200	3C
C736	4B	C1001	3B	C2202	4B	R723	4B	R1901	2A	R2014	5C	X600	9A
C737	4B	C1002	2B	C2203	4B	R724	4B	R1902	3A	R2015	5C	X1900	9B
C804	3B	C1003	2C	C2204	3C	R730	4B	R1903	3A	R2016	5C	X2201	4B
C805	3A	C1004	2B	C2205	3C	R731	4B	R1905	3A	R2017	2B	X2202	2A
C806	3B	C1005	3C	C2207	4B	R736	4B	R1906	3A	R2018	2B	X2209	9A
C807	4B	C1006	2B	C2208	4B	R737	4B	R1907	3A	R2200	5C	X2210	9C
C808	4B	C1007	2B	C2209	4C	R804	4B	R1908	3A	R2201	4B	X2211	2A
C809	3A	C1014	2B	C2210	4C	R805	4A	R1909	3A	R2202	4B	X2212	2C
C810	3A	C1017	2B	C2211	4C	R806	3B	R1910	2A	R2203	4B	X2213	9B
C811	3A	C1200	2A	C2212	4C	R808	4A	R1911	2A	R2204	4B	X2214	5A
C812	3A	C1201	2A	C2213	4C	R900	4A	R1912	4A	R2205	4B	Z1200	2A
C813	4A	C1204	2A	C2214	4C	R901	3B	R1913	4A	R2206	4B	Z1700	3A
C814	4A	C1400	5A	C2215	4C	R902	4A	R1914	4A	R2207	4B		
C815	4A	C1401	6A	C2216	4C	R904	4A	R1915	4A	R2208	4C		
C816	4B	C1402	6A	C2217	4C	R905	4A	R1916	3A	R2209	4C		
C817	4B	C1403	6A	C2218	4C	R906	4A	R1917	2A	R2210	4C		
C818	3B	C1404	5A	C2219	4C	R907	4A	R1918	3A	R2211	4C		
C819	3B	C1406	5A	C2220	4C	R910	2B	R1919	2A	R2212	4C		
C820	3B	C1407	5A	C2221	4C	R912	2B	R1920	3A	R2213	4C		
C821	3B	C1410	4A	C2222	4B	R913	2B	R1921	4A	R2214	4C		
C822	3B	C1700	3A	C2223	4B	R914	4A	R1922	4A	R2215	4C		
C823	3B	C1701	3A	D800	3A	R916	3B	R1923	2A	R2216	4C		
C824	3B	C1702	4A	D1000	3C	R917	3B	R1924	4A	R2217	4C		
C825	3B	C1900	3A	D1001	2C	R918	3B	R1926	2A	R2218	4C		
C826	2B	C1901	3A	D1900	3A	R1002	3B	R1927	2A	R2219	4C		
C827	3A	C1919	2A	D1901	2A	R1003	3B	R1928	2A	R2220	4C		
C828	3A	C1920	2A	D2200	5C	R1004	3B	R1929	2A	R2221	4C		
C829	3B	C1921	4A	L100	2A	R1007	3B	R2000	6C	R2222	3C		

VERS.	CHANGE NUMBER	DATE	NAME	DATE	24.05.2005	WOLF5 MAINBOARD B2.2.3 Assembly v1 WIRING DIAGRAM (SOLDER SIDE 2)	SHEET 2+
2	31235	1.09.2005	WDM	DATE	24.05.2005	WOLF5 MAINBOARD B2.2.3 Assembly v1 WIRING DIAGRAM (SOLDER SIDE 2)	3:1
				NAME	NB		
				APPR'D			
				STD			
				MD PD HW4 MCH2			
				SIEMENS AG		177792	
				( Created by BOM number: A5B00900188990-31235 )			

PROPRIETARY DATA, COMPANY CONFIDENTIAL  
ALL RIGHTS RESERVED

ALS BETRIEBSGEHEIMNIS ANVERTRAUT  
ALLE RECHTE VORBEHALTEN

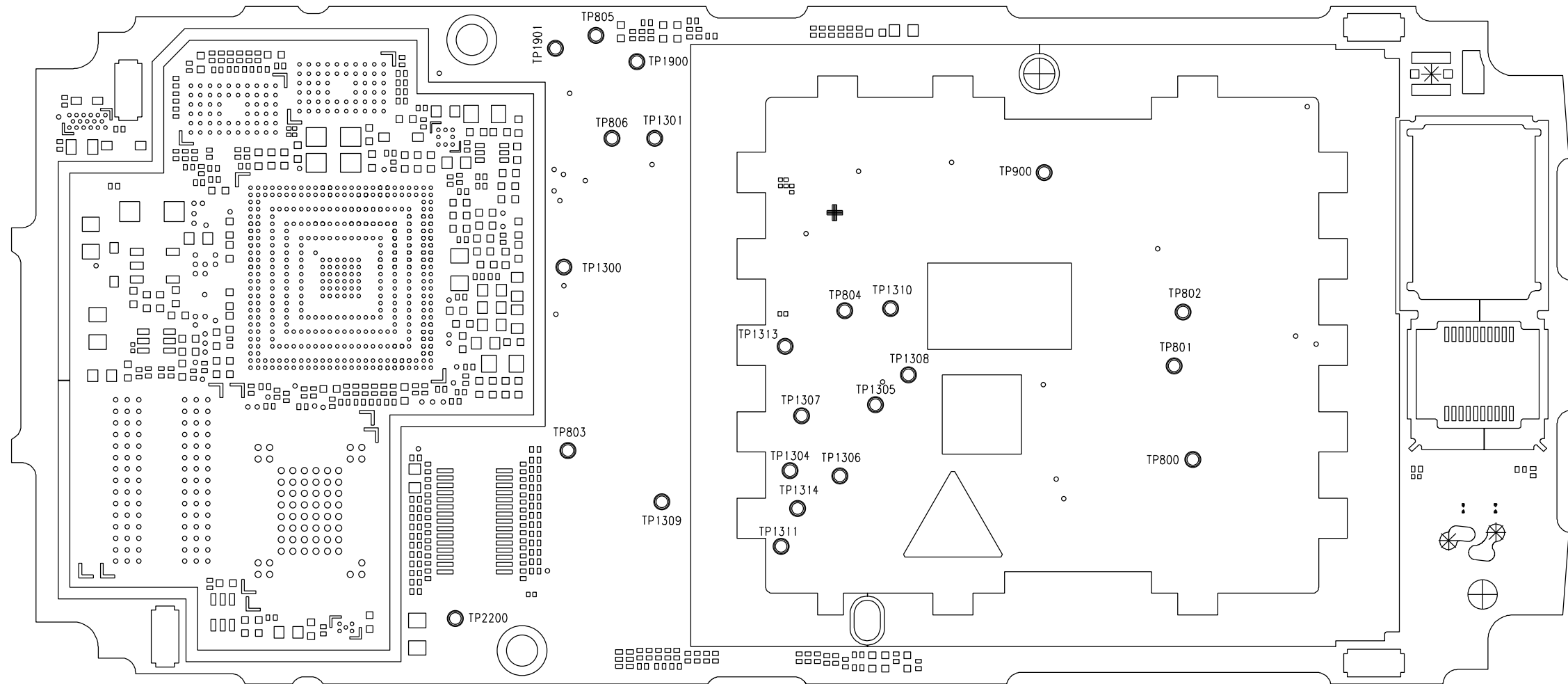


TP100	9B
TP901	9B
TP1600	9C
TP1703	7B
TP1708	7B
TP1709	7B
TP1710	7A
TP1800	9B
TP2000	7B

				DATE	24.05.2005	WOLF5 MAINBOARD B2 .2 Assembly V1 TESTPOINT DIAGRAM (SIDE 1)	3:1
				NAME	NB		
				APPR'D			
				STD			
				MD PD HW4 MCH2			
				SIEMENS AG		177793	SHEET 1+
1	27714	24.06.2005	WDM	( Created by BOM number: A5B00900188990-27714 )			
VERS.	CHANGE NUMBER	DATE	NAME				

PROPRIETARY DATA, COMPANY CONFIDENTIAL  
ALL RIGHTS RESERVED

ALS BETRIEBSGEHEIMNIS ANVERTRAUT  
ALLE RECHTE VORBEHALTEN



TP800	8C	TP1310	6B
TP801	8B	TP1311	6C
TP802	8B	TP1313	6B
TP803	5B	TP1314	6C
TP804	6B	TP1900	5A
TP805	5A	TP1901	4A
TP806	5A	TP2200	4C
TP900	7A		
TP1300	5B		
TP1301	5A		
TP1304	6C		
TP1305	6B		
TP1306	6C		
TP1307	6B		
TP1308	6B		
TP1309	5C		

				DATE	24.05.2005	WOLF5 MAINBOARD B2 .2 Assembly V1 TESTPOINT DIAGRAM (SIDE 2)	3:1	
				NAME	NB			
				APPR'D				
				STD				
					MD PD HW4 MCH2			
1	27714	24.06.2005	WDM			SIEMENS AG	177793	SHEET 2-
VERS.	CHANGE NUMBER	DATE	NAME	( Created by BOM number: A5B00900188990-27714 )				